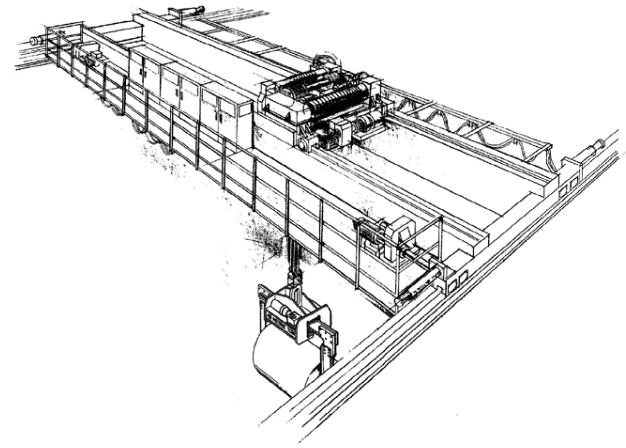
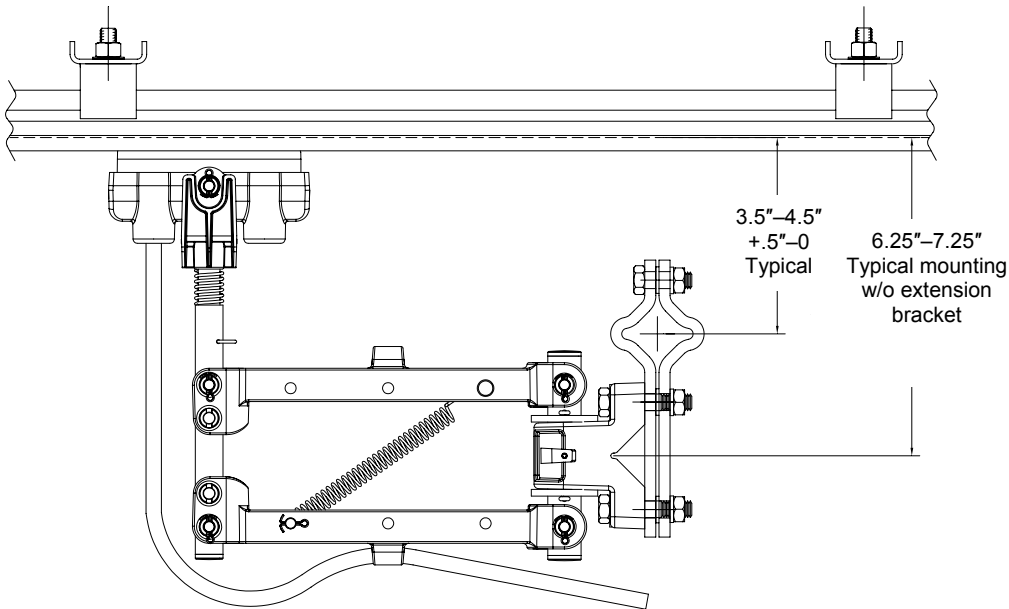


PC Type Collector Mounting Configuration



## Universal Collector Extension Bracket



UC Type Collector Mounting with Extension Bracket

## 100 AMP Collectors Installation Instructions



Part Number: 120-10043-R1

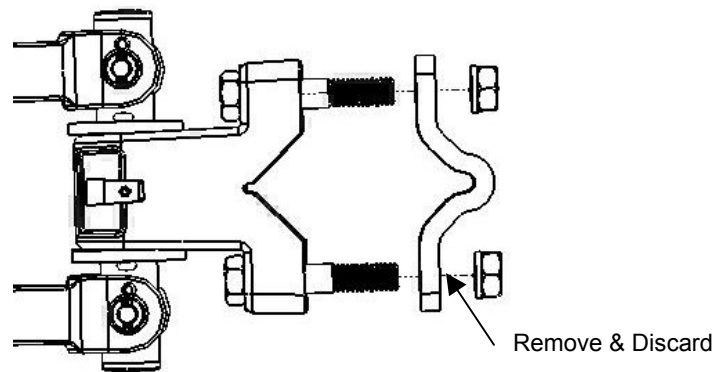
January 2007

© Copyright 2007 Magnetek Material Handling

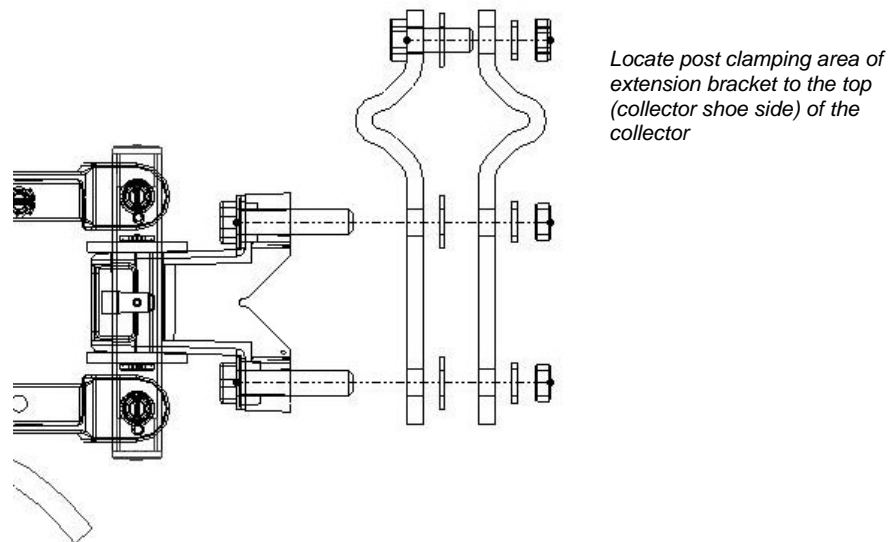
An extension bracket is required where collectors are being mounted on an existing non-adjustable 1" square post. The purpose is to extend the mounting center of the collector from the running surface of the conductor bar from the existing 3.5" – 4.5" to 6.25" – 7.25".

Installation Instructions:

- 1 – Remove 3/8-16NC nuts and 3/8 lock washer from mounting base of collector.
- 2 – Remove mounting post clamping bracket and discard.



- 3 – Re-assemble mounting bracket assembly with the UC-EXT-100 Extension Bracket as illustrated below. Do not tighten hardware until collector assembly is properly located on mounting post.



- 4 – When collector is properly aligned with the conductor bar, tighten hardware. Tighten each bolt until the collector is firmly in place on mounting post (30 to 38 lb.ft.). *Note: The size of the mounting posts may vary – if the extension bracket is not firmly gripping the mounting post after the bolts are tightened, remove the bolt from above the post, remove the spacer washer, replace the bolt and re-tighten.*