

# Telemotive<sup>®</sup> Series 18K Receiver

---

Radio Control Equipment

---

## Instruction Manual



**MAGNETEK**  
MATERIAL HANDLING  
**TELEMOTIVE**

TC18K-0 Rev. V      November 2017  
Part Number 24559T  
©Copyright 2017 Magnetek Material Handling

# Table of Contents

<u>Section</u>	<u>Page #</u>
Service Information.....	1-1
Radio Controlled Crane Safety .....	2-1
General System Information .....	3-1
Installation Procedure .....	4-1
18K Receiver Overview.....	5-1
18K Receiver Spare Parts.....	6-1
18K CPU Board.....	7-1
18K RF Translator Board.....	8-1
18K RF71K RF Translator Board .....	9-1
18K Relay Output Boards.....	10-1
18K Power Supply Board .....	11-1
18K Contact Monitoring Board .....	12-1
18K Stepless Output Boards.....	13-1
18K Static Stepless Output Boards.....	14-1

# **Section 1 – Service Information**

## **1.0 Service Information.**

### **Your New Radio Receiver**

Thank you for your purchase of Magnetek's Telemotive® Brand 18K Receiver. Magnetek has set a whole new standard in performance, dependability, and value with its unique new line of receivers. Without a doubt, our Telemotive 18K Receiver is the ultimate solution for having precise, undeterred, and safe control of your material.

If your product ever needs modification or service, please contact one of our representatives at the following locations:

#### **U.S. Service Information**

For questions regarding service or technical information, contact:

**1-866-MAG-SERV**

**(1-866-624-7378)**

Magnetek Material Handling  
N49 W13650 Campbell Drive  
Menomonee Falls, WI 53051

**Telephone:** 800-288-8178

**Website:** [www.magnetek.com](http://www.magnetek.com)

**E-mail:** [mhcustomerservice@magnetek.com](mailto:mhcustomerservice@magnetek.com)

#### **Fax Numbers**

*Main:* 800-298-3503

*Sales:* 262-783-3510

*Service:* 262-783-3508

Magnetek, Inc. has additional satellite locations for Canada and the United States. For more information, please visit <http://www.magnetek.com>.

# **Section 1 – Service Information (Continued)**

## **Preface and Safety**

©2017 MAGNETEK

All rights reserved. This notice applies to all copyrighted materials included with this product, including, but not limited to, this manual. This manual is intended for the sole use of the persons to whom it was provided, and any unauthorized distribution of the manual or dispersal of its contents is strictly forbidden. This manual may not be reproduced in whole or in part by any means whatsoever without the expressed written permission of Magnetek.

## **Product Safety Information**

Magnetek, Inc. (Magnetek) offers a broad range of radio remote control products, control products and adjustable frequency drives, industrial braking systems, and power delivery products for material handling applications. This manual has been prepared by Magnetek to provide information and recommendations for the installation, use, operation and service of Magnetek's material handling products and systems (Magnetek Products). Anyone who uses, operates, maintains, services, installs or owns Magnetek Products should know, understand and follow the instructions and safety recommendations in this manual for Magnetek Products.

The recommendations in this manual do not take precedence over any of the following requirements relating to cranes, hoists, lifting devices or other equipment which use or include Magnetek Products:

- Instructions, manuals, and safety warnings of the manufacturers of the equipment where the Magnetek Products are used,
- Plant safety rules and procedures of the employers and the owners of the facilities where the Magnetek Products are being used,
- Regulations issued by the Occupational Health and Safety Administration (OSHA),
- Applicable local, state, provincial, or federal codes, ordinances, standards and requirements, or
- Safety standards and practices for the industries in which Magnetek Products are used.

This manual does not include or address the specific instructions and safety warnings of these manufacturers or any of the other requirements listed above. It is the responsibility of the owners, users and operators of the Magnetek Products to know, understand and follow all of these requirements. It is the responsibility of the employer to make its employees aware of all of the above listed requirements and to make certain that all operators are properly trained.

No one should use Magnetek Products prior to becoming familiar with and being trained in these requirements and the instructions and safety recommendations for this manual.

## **Product Warranty Information**

Magnetek, hereafter referred to as Company, assumes no responsibility for improper programming of a device (such as a drive or radio) by untrained personnel. A device should only be programmed by a trained technician who has read and understands the contents of the relevant manual(s). Improper programming of a device can lead to unexpected, undesirable, or unsafe operation or performance of the device. This may result in damage to equipment or personal injury. Company shall not be liable for economic loss, property damage, or other consequential damages or physical injury sustained by the purchaser or by any third party as a result of such programming. Company neither assumes nor authorizes any other person to assume for Company any other liability in connection with the sale or use of this product.

For information on Magnetek's product warranties by product type, please visit [www.magnetek.com](http://www.magnetek.com).

## Section 1 – Service Information (Continued)

### Warnings, Cautions And Notes.

Throughout this document WARNING, CAUTION and NOTE statements have been deliberately placed to highlight items critical to the protection of personnel and equipment.

**WARNING** – A warning highlights an essential operating or maintenance procedure, practice, etc. which if not strictly observed, could result in injury or death of personnel, or long term physical hazards. Warnings are highlighted as shown below:



**CAUTION** – A caution highlights an essential operating or maintenance procedure, practice, etc. which if not strictly observed, could result in damage to, or destruction of equipment, or loss of functional effectiveness. Cautions are highlighted as shown below:



**NOTE** – A note highlights an essential operating or maintenance procedure, condition or statement. Notes are shown as below:

### NOTE

WARNINGS, CAUTIONS AND NOTES SHOULD NEVER BE DISREGARDED.

The safety rules in this section are not intended to replace any rules or regulations of any applicable local, state, or federal governing organizations. Always follow your local lockout and tagout procedure when maintaining any radio equipment. The following information is intended to be used in conjunction with other rules or regulations already in existence. It is important to read all of the safety information contained in this section before installing or operating the Radio Control System.

## Section 2 - Radio Controlled Safety

### 2.0 Radio Controlled Safety

#### 2-1. Critical Installation Considerations.



### **WARNING**

ALL EQUIPMENT MUST HAVE A MAINLINE CONTACTOR INSTALLED AND ALL TRACKED CRANES AND SIMILAR EQUIPMENT MUST HAVE A BRAKE INSTALLED. FAILURE TO FOLLOW THIS WARNING COULD RESULT IN SERIOUS INJURY OR DEATH AND DAMAGE TO EQUIPMENT.



### **WARNING**

AN AUDIBLE AND/OR VISUAL WARNING MEANS MUST BE PROVIDED ON ALL REMOTE CONTROLLED CRANES. THESE AUDIBLE AND/OR VISUAL WARNING DEVICES MUST MEET ALL GOVERNMENTAL REQUIREMENTS. FAILURE TO FOLLOW THIS WARNING COULD RESULT IN SERIOUS INJURY OR DEATH AND DAMAGE TO EQUIPMENT.



### **WARNING**

PLEASE FOLLOW YOUR LOCAL LOCKOUT TAGOUT PROCEDURE BEFORE MAINTAINING ANY REMOTE CONTROL EQUIPMENT. ALWAYS REMOVE ALL ELECTRICAL POWER FROM THE CRANE OR MACHINERY BEFORE ATTEMPTING ANY INSTALLATION PROCEDURES. DE-ENERGIZE AND TAGOUT ALL SOURCES OF ELECTRICAL POWER BEFORE TOUCH-TESTING ANY EQUIPMENT. FAILURE TO FOLLOW THIS WARNING COULD RESULT IN SERIOUS INJURY OR DEATH AND DAMAGE TO EQUIPMENT.



### **WARNING**

THE DIRECT OUTPUTS OF THIS PRODUCT ARE NOT DESIGNED TO INTERFACE DIRECTLY TO TWO STATE SAFETY CRITICAL MAINTAINED FUNCTIONS, I.E., MAGNETS, VACUUM LIFTS, PUMPS, EMERGENCY EQUIPMENT, ETC. A MECHANICALLY LOCKING INTERMEDIATE RELAY SYSTEM WITH SEPARATE POWER CONSIDERATIONS MUST BE PROVIDED. FAILURE TO FOLLOW THIS WARNING COULD RESULT IN SERIOUS INJURY OR DEATH AND DAMAGE TO EQUIPMENT.

## **Section 2 – Radio Controlled Safety (Continued)**

### **2-2. General.**

Radio controlled overhead cranes and other material handling equipment operate in several directions. They are large, bulky pieces of equipment that handle heavy loads efficiently at high speeds. Quite frequently, the equipment is operated in areas where people are working on the floor below. The crane operator must exercise extreme caution at all times. Workers must constantly be alert to avoid accidents. The following rules have been included to indicate how your careful and thoughtful actions may prevent injuries, damage to equipment, or even save a life. If radio-controlled material handling equipment is operated from the cab, special care must be taken to secure the transmitter. Refer to section titled Section 2-7.3. Boarding The Crane for specific safety rules.

### **2-3. Persons Authorized To Operate Radio Controlled Cranes.**

Only properly trained persons designated by management should be permitted to operate radio-controlled cranes.

Radio controlled cranes should not be operated by any person who cannot read or understand signs, notices and operating instructions that pertain to the crane.

Radio controlled cranes should not be operated by any person with insufficient eyesight or hearing or by any person who may be suffering from a disorder or illness or is taking any medication that may cause loss of crane control.

### **2-4. Training Checklist For Crane Operators.**

Anyone being trained to operate a radio-controlled crane should possess as a minimum the following knowledge and skills before operating the crane:

The operator should have knowledge of hazards pertaining to crane operation.

The operator should have knowledge of the safety rules for radio-controlled cranes.

The operator should have the ability to judge distance of moving objects.

The operator should have knowledge of the radio transmitter.

The operator should know how to properly test limit switches.

The operator should know, where authorized, instructions for plugging motions.

The operator should have knowledge of the use of crane warning lights and alarms.

The operator should have knowledge of observing crane signal lights.

The operator should be trained to avoid striking any obstructions.

The operator should have knowledge of the proper clearance of lifts or hooks before moving bridge or trolley.

The operator should have knowledge of the proper storage space for radio control transmitter when not in use.

The operator should be trained in transferring radio control transmitter to another person.

The operator should be trained how and when to report unsafe or unusual operating conditions.

The operator should be trained how to exhibit caution in approaching bridge or trolley bumpers.

The operator should know equipment capacity.

The operator should be trained in making lifts below floor level.

## **Section 2 – Radio Controlled Safety (Continued)**

The operator should be trained in making side pulls.

The operator should know how to keep himself and other people clear of lifts and to avoid "pinch" points.

The operator should know cable and hook inspection procedures.

The operator should know procedures for testing hoist, trolley, and bridge brakes.

The operator should know and follow the local lockout and tagout procedures.

### **2-5. Operating Area.**

Aisles between equipment, stock, etc., should be free of obstructions so the crane operator can move freely. These aisles should be a minimum of three feet (one meter) wide, or meet local regulations.

Crane operators should always position themselves for the best view of the crane they are controlling. The crane should never be operated blindly. The operator should stay as close to the crane load as possible. Operators should never position themselves in a "pinch" point.

### **2-6. Transmitter Unit.**

Transmitter switches should never be mechanically blocked ON or OFF for any crane motion. When not in use turn the transmitter OFF. A secure storage space should be provided for the transmitter unit and the transmitter unit should always be placed there when not in use. This precaution will prevent unauthorized people from operating the crane.

Spare transmitters should be stored in a secure storage space and only removed from the storage space after the current transmitter in use has been turned OFF, taken out of the service area and secured.

### **2-7. Operating The Crane.**

#### **2-7.1. Pre-operation Test.**

At the start of each work shift, or when a new operator takes control of the crane, operators shall do, as a minimum, the following steps before making lifts with any crane or hoist:

Test the upper-limit switch. Slowly raise the unloaded hook block until the limit switch trips. When checking limit switches the hoist should be centered over an area free of personnel and equipment.

Visually inspect the hook, load lines, trolley, and bridge as much as possible from the operator's station; in most instances, this will be the floor of the building.

The bridge and trolley brakes should be tested. On transmitter units equipped with two or more speeds, use the "lowest" speed when testing braking devices.

When lifting maximum loads, the crane operator should test the hoist brakes by raising the load a few inches from the floor. If the brakes do not hold, the load should immediately be lowered to the floor.

If provided, test the lower-limit switch.

Test all warning devices.

Test all direction and speed controls for both bridge and trolley travel.

Test all bridge and trolley limit switches, where provided, if operation will bring the equipment in close proximity to the limit switches.

Test the transmitter emergency stop.

Test the hoist brake to verify there is no drift without a load.



## **Section 2 – Radio Controlled Safety (Continued)**

If any crane or hoist fails any of the above tests notify the supervisor and lockout and tagout for repair.

### **2-7.2. General Rules For Operation.**

Consult the crane manufacturer, local and governmental regulations for complete rules of operation. In general the following rules apply to remotely controlled cranes:

The limit switches should never be used as a regular stopping device. They are intended to be protective devices.

Do not make lifts in excess of the equipment rated capacity.

The bridge and trolley should be centered directly over the load when the load is raised to prevent swinging when making lifts.

A crane designed for this purpose and only with supervisor permission should make side pulls. When a lift is being made, the crane operator should not be positioned in the line of travel. The crane or hoist should be operated from a position either to the side or opposite from the direction of travel.

When raising or lowering a load, proceed slowly and make certain the load is under control. Tag lines should be used for handling unusual lengths or bulky loads. Remove slack from chains or slings gradually. Make certain all personnel are clear before making a lift.

The crane operator should keep all body parts away from the lift and should never be positioned under the lift.

Do not make a lift or move a load if anyone is in a location where they could be struck by the crane or the load.

If the crane operator is being assisted, the crane should not be moved until the assistant signals they are clear of the crane and its load.

When a load is hanging from the crane hook and the crane is being moved, the crane operator should sound all warning devices frequently.

Loads should not be carried over workers' heads. If a worker is in the path of crane travel, the crane operator should stop the crane and clear the area before proceeding.

Runway stops or other cranes should never be bumped into.

When moving the crane, the crane operator should be sure that the hook block and attachments or cables will not catch on nearby equipment. Slings, chains, or cables should never be dragged along the floor.

Unless required for operator safety, gloves should not be worn when operating the transmitter unit.

All loose materials or parts should be removed from the load before starting the lift.

The crane operator should always hoist lifts high enough to clear all equipment and workers.

The crane operator should never permit anyone to ride on the load or hook except when authorized by the supervisor.

When another crane on the same runway is stationary with a load hanging, the crane operator should maintain a safe distance between the stationary crane and the one under their control.

Never leave suspended loads unattended. In an emergency, if the crane is inoperative and a load is suspended, notify the supervisor immediately, barricade and post signs on the floor beneath crane and load.

If power to the crane is removed, the crane operator should turn the transmitter unit OFF and keep it OFF until power is restored.

## **Section 2 – Radio Controlled Safety (Continued)**

If the crane fails to respond properly, the crane operator should stop operation, turn the transmitter unit OFF and immediately report the condition to their supervisor.

Outdoor cranes, which are subject to movement by wind, should be securely anchored when left unattended. If the crane is equipped with bridge brakes, the parking brake should be set immediately.

### **2-7.3. Boarding The Crane.**

The crane should not be boarded without permission of the supervisor.

The crane operator should turn off the transmitter and take it with them when boarding the crane.

If more than one person is boarding the crane, one person should be made responsible for ensuring all personnel are off the crane before the system is returned to operation.

### **2-8. Crane Maintenance And Repair.**

Qualified personnel must maintain a regularly (i.e., such as monthly) scheduled crane inspection. During this crane inspection the functionality and safety of the crane remote control must also be tested. The inspection shall include, but not be limited to, items listed in Section 2-10. Condition of The Radio Controlled Crane. Consult crane manufacturer, local and governmental regulations for recommended inspection intervals and proper inspection procedures. Problems noted during this inspection must be repaired before using the crane or the remote control.

Minor repairs include routine maintenance and repairs such as greasing, cleaning and control troubleshooting. All other repairs should be considered major. If the repair crew consists of more than one person, one person should be designated as the repair crew leader with the following responsibilities. If the repair crew consists of only one person, that person has the following responsibilities:

For minor repairs, warning signs should be placed on the floor beneath the crane or suspended from the crane. For major repairs, the floor area below the crane should be roped off.

When major repairs are to take place, all persons operating other cranes on the same or adjacent runways, if any, must be notified prior to starting repairs. Notification should include the nature of the repair, safeguards provided, and movement limitations while repairs are in progress.

When practical, radio controlled cranes which cannot be moved during repairs must be protected against being bumped by other cranes on the runway. Bumpers should be installed on the exposed side or sides of the crane under repair. They should be placed as far away as possible. The location of these bumpers should be indicated by red lights placed so that they are clearly visible to other crane operators traveling on the same runway. When it is not possible to use bumpers, red lights must be placed so they are clearly visible to other crane operators traveling on the same runway to indicate the restricted travel zone. All crane operators on the same runway must be informed of the repair effort and thoroughly instructed to what their operations are limited to and informed they will be notified when repairs are completed.

If any hazard involving the repair person exists when there is a runway adjacent to the crane under repair, the adjacent runway should be blocked off as described previously. When it is necessary to continue crane operation on the adjacent runways, warning lights must be installed and be visible to operators of cranes on those runways. All cranes should come to a complete stop prior to entering the restricted area and should proceed through this area only after receiving permission from a signal person designated for this purpose. Access of persons to and from the crane being repaired should be under control of the repair crew leader.

When boarding the crane, the transmitter should be turned OFF and the transmitter should remain with the repair crew leader. The leader should board the crane first, open and lockout the main switch, and then signal the other members of the crew it is safe to board the crane.

If work on the crane is to be done in areas not protected by standard handrails, the repair crew should wear approved safety belts.

All tools and equipment should be moved onto the crane by the use of hand lines. The tools and equipment should be adequately secured to the hand lines.

## **Section 2 – Radio Controlled Safety (Continued)**

If it is necessary to have the crane control circuits energized, all power circuits for crane movement must be opened prior to energizing the control circuits.

All personnel and tools should be moved to a safe spot before moving the crane during repairs.

Headroom is at a minimum in some crane cabs and on some crane walkways. Caution should be exercised when boarding or working on cranes. Hard hats should be worn whenever possible.

When repairs are finished, all personnel, tools and repair equipment should be removed before energizing the crane circuits.

### **2-9. Using The Crane As A Work Platform.**

When the crane is to be used as a stationary work platform, follow all rules provided in Section 2-8. Crane Maintenance and Repair. When it is necessary for the crane to be moved from time to time, the crane operator should board the crane with the transmitter unit. The crane operator should ensure all personnel working on the crane are in a secure position before moving the crane to the next workstation. It should also be the crane operator's responsibility to ensure the main switch is open and locked down before work is resumed.



## **WARNING**

THE CRANE OPERATOR SHOULD NOT ATTEMPT TO REPAIR ANY OF THE FOLLOWING ITEMS. THE CRANE CONDITION SHOULD BE REPORTED TO THE SUPERVISOR. FAILURE TO FOLLOW THIS WARNING COULD RESULT IN SERIOUS INJURY OR DEATH AND DAMAGE TO EQUIPMENT.

### **2-10. Condition Of The Radio Controlled Crane.**

If the crane fails to respond properly, the crane operator(s) should notify their supervisor. When serious conditions are noticed (conditions that make the crane unsafe to operate), the crane should be shut down immediately and the supervisor notified. The following is a list of some of the items that should be included in the report (see the crane manufacturer for specifics and possible additional items):

Condition of hoisting cable and hook block (broken strands, clipped sheave wheels, etc.).

Condition of brakes (hoist, trolley, and bridge) - no bluing, rivets on shoes showing, glazing, etc.

Condition of trolley and rail stops.

Condition of bridge structure.

Condition of festoon system.

Broken welds in any part of the crane structure.

Proper fluid levels and lubrication.

Condition of bridge and trolley stops.

Carbon dust or signs of burning on the covers of motors.

Indication of fluid, oil or grease leaks.

Condition of rail sweeps.

## **Section 2 – Radio Controlled Safety (Continued)**

Walkways require handrails and ladders are sturdy and in place, not loose.

Protective guards are in place for all moving parts.

Alignment of bridge (screeching or squealing wheels indicate bridge is out of line).

Broken, cracked, or chipped rails on trolley or runway.

Condition of limit switches.

Condition of electrical and mechanical control (electrical or mechanical defects which cause faulty operation such as uncontrolled stopping or starting of any crane motions, warning devices, lights, or auxiliary functions).

Condition of gears (grinding or squealing may indicate foreign materials in gear teeth or a lack of lubrication).

All controls (especially E-STOPS) are in place and in working order.

Frequent relay tripping of power circuits.

Mechanical parts loosened by vibration (loose rivets, covers, bolts, etc.).

Uneven riding (worn or damaged wheels).

Condition of collector shoes or bars.

Condition of warning or signal lights and horns (burned out or broken).

### **2-11. Batteries.**



## **WARNING**

KNOW AND FOLLOW PROPER BATTERY HANDLING, CHARGING AND DISPOSAL PROCEDURES. IMPROPER BATTERY PROCEDURES CAN CAUSE BATTERIES TO EXPLODE OR DO OTHER SERIOUS DAMAGE. FAILURE TO FOLLOW THIS WARNING COULD RESULT IN SERIOUS INJURY OR DEATH AND DAMAGE TO EQUIPMENT.

### **2-12. Battery Handling.**

Use only batteries approved by Magnetek Telemotive for the specific product.

Do not dispose of a battery pack in fire; it may explode.

Do not attempt to open the battery pack.

Do not short circuit battery.

For intrinsically safe environments only use specified Magnetek Telemotive intrinsically safe batteries.

Keep the battery pack environment cool during charging operation and storage (i.e., not in direct sunlight or close to a heating source).

## ***Section 2 – Radio Controlled Safety (Continued)***

### **2-13. Battery Charging.**

For those transmitters equipped with battery chargers, please familiarize all users with the instructions of the charger before attempting to use.

Do not attempt to charge non-rechargeable battery packs.

Avoid charging partially discharged rechargeable batteries to help prolong battery cycle life.

Avoid charging the battery pack for more than 24 hours at a time.

Do not charge batteries in a hazardous environment.

Do not short the charger.

Do not attempt to charge a damaged battery.

Use only Magnetek Telemotive approved chargers for the appropriate battery pack.

Do not attempt to use a battery that is leaking, swollen or corroded.

Charger units are not intended for outdoor use. Use only indoors.

### **2-14. Battery Disposal.**

Before disposing of batteries consult local and governmental regulatory requirements for proper disposal procedure.

# **Section 3 – General System Information**

## **3.0 General System Information.**

The Series 18K Radio Control System (system) provides remote control of overhead cranes using radio signals. The system consists of a hand-held portable battery-operated transmitter unit and a fixed station receiver unit.

Each system has its own access code, which permits a receiver unit to respond only to a transmitter unit with the same access code. Up to four TMS transmitters may be used with the same frequency. Each transmitter operating on the same frequency may be operated in close proximity (not less than six feet) to each other.

Access Code: Any received signal which does not match the receiver access code is considered invalid by the receiver.

### **NOTE**

DETERMINE IF YOUR SYSTEM IS FCC PART 15 OR PART 90. IF THE RECEIVER HAS THE PART NUMBER 18087 ON THE DOOR, OR IF YOUR TRANSMITTER HAS A PUSH BUTTON FOR ON/OFF RATHER THAN A TOGGLE SWITCH, IT IS FCC PART 15.

#### **3-1. FCC Regulations.**

There are two types of radio-controlled systems. One is high power licensed (FCC Part 90), and the other is low power unlicensed (FCC Part 15). Both give more than adequate range, security and features; however, there are subtle differences in operation required by FCC rules and regulations. It is helpful to know what system type you have when troubleshooting and servicing.

#### **3-2. Signaling (TMS and Continuous).**

TMS (Time Multiplexed Signaling) is a Magnetek Telemotive propriety high-speed packet data system that transmits data in pulses. Continuous Carrier signaling means the transmitter is continuously transmitting power whether or not a lever or function is activated. Continuous carrier systems tend to be older systems.

#### **3-3. Part 90 (TMS And Continuous Carrier).**

For 18K licensed systems, the transmitter unit is frequency modulated, has relatively high power (greater than 100 mW typically), and a license is required under Part 90 of FCC rules and regulations. The transmitter unit uses a frequency synthesizer to set the operating frequency.

#### **3-4. Part 15 (TMS only).**

For 18K systems with part 15 signaling, the transmitter unit is frequency modulated, has lower power and is certified under Part 15 of FCC rules and regulations. A license is not required for the transmitter or operator. The transmitter unit uses a frequency synthesizer to set the operating frequency.

A power down feature turns the transmitter unit OFF if no keys are pressed for an extended period of time (approximately 15 minutes). The transmitter unit must again be turned ON. A configuration of the transmitter unit is available without automatic timeout.

An LED mounted on the front panel provides battery voltage and data transmission status. Refer to your transmitter instruction manual for details.

#### **3-5. Receiver Unit.**

The receiver unit consists of an RF receiver module, microprocessor control module, output relay/control modules and a power supply.

## **Section 3 – General System Information**

A power down feature turns the receiver unit OFF if no commands are received for an extended (approximately 15 minutes) period of time. A configuration of the receiver unit is available without automatic time out.

### **3-6. Part 15 System Specifications.**

Channel Designations (the channels listed here are for reference purposes and are not an indication of production stock):

AK01 - 439.8 MHz	AK06 - 438.8 MHz
AK02 - 439.6 MHz	AK07 - 438.6 MHz
AK03 - 439.4 MHz	AK08 - 438.4 MHz
AK04 - 439.2 MHz	AK09 - 438.2 MHz
AK05 - 439.0 MHz	AK10 - 438.0 MHz

AK11 - 437.8 MHz	AK16 - 436.8 MHz
AK12 - 437.6 MHz	AK17 - 436.6 MHz
AK13 - 437.4 MHz	AK18 - 436.4 MHz
AK14 - 437.2 MHz	AK19 - 436.2 MHz
AK15 - 437.0 MHz	AK20 - 436.0 MHz

AKA00 - 433.125 MHz	AKA05 - 434.125 MHz
AKA01 - 433.325 MHz	AKA06 - 434.325 MHz
AKA02 - 433.525 MHz	AKA07 - 434.525 MHz
AKA03 - 433.725 MHz	AKA08 - 434.725 MHz
AKA04 - 433.925 MHz	AK38 - 432.4 MHz
AK50 - 430.0MHz	

Ambient Operating Conditions: -22°F to +158°F (-30°C to +70°C).

Humidity: up to 95% (non-condensing).

Typical Operating Range: 300 feet.

Up to four TMS transmitter units may operate on the same frequency while in close proximity (not less than six feet) to each other.

### **3-7. Time Multiplex Shared (TMS) System Software.**

The system software is structured to minimize "on the air" transmission time of any transmitter. This allows for multiple transmitters to share a common frequency. The TMS system is designed so that a transmitter will send a signal for a predetermined ON time, and then will turn OFF. The length of transmitter ON time is referred to as data burst or packet. The packet length is a function of the quantity of data to be sent, and the data rate (baud). Once the packet is sent, the transmitter will turn OFF. This allows for other transmitters to time-share the same frequency when a transmitter has turned OFF. The TMS system software determines the OFF period and repetition rate of the ON period. This allows up to 4 transmitters to share and have equal access to the same frequency, and also allows for reduced battery consumption and extended battery life.

# **Section 4 – Installation Information**

## **4.0 Installation Information**

### **4-1. Pre-Installation Considerations.**

To ensure reliable and safe operation of the system, the following items must be considered before installing the receiver unit:

#### **NOTE**

THIS MANUAL IS A GENERAL MANUAL FOR 18K SYSTEMS. EVERY 18K SYSTEM COMES WITH A COMPLETE SET OF SYSTEM DRAWINGS SPECIFIC TO THE CUSTOMER'S ORDER. THESE DRAWINGS SUPPLY NEEDED INFORMATION ABOUT SPECIFIC FEATURES, OPERATION, WIRING AND MOUNTING. DO NOT ATTEMPT TO INSTALL OR OPERATE THIS SYSTEM WITHOUT THEM. IF YOU NEED ADDITIONAL COPIES PLEASE CONTACT MAGNETEK TELEMOTIVE. IN ALL CORRESPONDENCE WITH MAGNETEK TELEMOTIVE ABOUT YOUR SPECIFIC SYSTEM PLEASE REFERENCE THE JOB LISTED ON THE FRONT OF YOUR EQUIPMENT.



## **WARNING**

THE RECEIVER UNIT OR RELAYS ARE NOT RATED AS EXPLOSION PROOF. THE RECEIVER UNIT MUST NOT BE INSTALLED IN EXPLOSIVE ENVIRONMENTS UNLESS APPROPRIATE SECONDARY ENCLOSURE MEASURES ARE TAKEN. FAILURE TO FOLLOW THIS WARNING COULD RESULT IN SERIOUS INJURY OR DEATH AND DAMAGE TO EQUIPMENT.

The receiver unit should not be subjected to moisture if it is not rated for it.

### **4-2. Receiver Unit Mounting Location Considerations.**

Ensure the mounting location is as far as possible from exposed trolley wires and sources of electromagnetic or radiated noise.

If possible, avoid installing receiver unit to a surface where high vibration or shock is present. If this cannot be avoided, use appropriate shock mounts.

### **4-3. Antenna Mounting Considerations.**

It is best to mount the antenna so that it is visible to the operator. Usually, this is accomplished by mounting the antenna under the crane and pointed downward. You should always try to avoid power sources, motors, drives, brakes, etc. If necessary, we offer an external antenna kit.

### **4-4. Line Input Considerations.**

Check the system drawings for proper line input voltage. If there is any question as to proper line input voltage, contact Magnetek Telemotive before applying power to the unit.



## Section 4 – Installation Information (Continued)



### WARNING

THE UNIT MUST BE WIRED TO THE CORRECT VOLTAGE, AND BE CONNECTED TO THE CORRECT TERMINAL AS REQUIRED BY THE ACTUAL LINE VOLTAGE. PLEASE CONSULT YOUR SYSTEM DRAWINGS FOR PROPER SUPPLY VOLTAGES. FAILURE FOLLOW THIS WARNING COULD RESULT IN SERIOUS INJURY OR DEATH AND DAMAGE TO EQUIPMENT.

### NOTE

THE RECEIVER UNIT SHOULD NOT BE CONNECTED TO LINES CONTAINING EXCESSIVE POWER UP TRANSIENTS OR CONTINUOUS COMMUTATOR NOISE. A LINE CONDITIONER MAY BE NECESSARY IN SOME INSTALLATIONS.

#### 4-5. Wiring Considerations.

1. Do not connect or disconnect wiring, or perform circuit checks while the power is turned ON.
2. The motor wiring shall be in a separate metal conduit from the power wiring, which shall also be in a metal conduit.
3. Low voltage wires shall be wired with Class 1 wiring.
4. Control wiring, as well as antenna wiring, shall be in separate conduits and shall be kept as short as possible.
5. Control wiring for stepless devices shall be shielded twisted pair. The shield should be grounded at the drive end.
6. All terminals shall be tightened to specified terminal torque (4.4 IN-LBS unless otherwise specified).
7. Please observe the National Electric Code (NEC) when wiring electrical devices.
8. When cutting holes in cabinet take care to prevent metal filings from shorting circuitry. Remove excess metal screws, metal filings and wire clippings from inside of unit.
9. Inspect to make sure no exposed wire has contact with any other wiring or terminals.
10. All receiver relays should drive contactors. Suppressors are strongly recommended on all contactors.

#### 4-6. Receiver Unit Cabinet Mounting.

Recommended mounting instructions and hardware is included with the receiver.

Flat washers should be used in front of nuts when receiver unit is mounted to a non-structural surface.

Mount receiver unit cabinet securely to mounting surface. Actual cabinet mounting dimensions are supplied with your system drawings.

## Section 4 – Installation Information (Continued)

### 4-7. Receiver Installation.



## WARNING

MAKE SURE S1 MASTER CONTROL RELAY (MCR) IS TURNED OFF BEFORE ATTEMPTING THIS TO PREVENT ACTIVATION OF EXTERNAL CIRCUITRY. SEE SECTION 7-1 FOR SWITCH LOCATION. FAILURE TO FOLLOW THIS WARNING COULD RESULT IN SERIOUS INJURY OR DEATH AND DAMAGE TO EQUIPMENT.

1. Ensure mounting location is as far as possible from exposed Trolley wire and sources of electromagnetic or radiated noise. Antenna should be mounted underneath the bridge, pointed down at a 45 degree angle.
2. Mount unit and install antenna. For remotely mounted antennas make sure the mounting base or plate of the antenna is grounded.
3. Set switch SW1 on power supply to the OFF position towards right of cabinet. See Section 10-1 for power supply switch location. Set switch S1 on CPU to OFF to disable receiver outputs. See Section 7-1 for CPU switch S1 location.
4. Wire unit per supplied system drawings.
5. Wiring of the 18K system should now be complete.
6. Make sure all personnel are clear of equipment and that no load is on the crane. Turn ON power supply switch SW1 and apply power. **(Switch S1 on the CPU is still turned OFF!)**
7. A number of yellow and green lights should be ON on the CPU board. Check to see that the red DS3 is out at this time, indicating the outputs are disabled (Switch S1 on the CPU turned off). Check out the radio functions and directions by first jogging the appropriate button. After the check, put S1 to the ON position - the red DS3 should light.
8. With S1 on the CPU ON, check crane operation under power. Again, check each function and direction by first jogging the appropriate button. Installation should now be complete.

### 4-8. Special Receiver Functions.

Special programming exists to allow some of the auxiliary relays to be dedicated for special system functions. Setting certain dip switches on the CPU Board enables this programming.

#### 4-8.1 Master Control Relay (MCR) Enable (S1).

This switch, when turned to OFF, disables the MCR and removes all output power to all output relays. This allows testing of the receiver control circuitry without activating any external functions such as motors and horns.

#### 4-8.2 E-STOP Alarm (S2-2) (E-STOP Alarm only available on Part 15 systems).

The use of the E-STOP Alarm dedicates one specific control relay (the Horn relay, Output relay module 1/A, relay 8) to operate an external alarm. An external alarm (not supplied) needs to be connected to this relay. The E-STOP Alarm is designed into certain Part 15 systems if required. Consult your System drawings to determine how the alarms, if any, are wired.

## **Section 4 – Installation Information (Continued)**

**In the Part 15 system only**, the E-STOP Alarm turns ON when the E-STOP is depressed on the transmitter. It stays ON till the E-STOP is released. To clear an E-STOP condition, the transmitter must be turned OFF and ON again. **To disable the E-STOP Alarm turn S2-2 ON located on the CPU Board (See Section 7-3).**

### **NOTE**

DO NOT USE THE E-STOP FOR NORMAL TURNING ON AND OFF OF SYSTEM. WHILE THE E-STOP IS DEPRESSED THE TRANSMITTER IS CONTINUOUSLY TRANSMITTING. LEAVING THE TRANSMITTER IN THE E-STOP CONDITION WILL IMPAIR BATTERY LIFE.

#### **4-8.3 Auto Alarm (S2-1).**

The Auto Alarm is a field configurable setting which gives a 2 second alarm when the transmitter is first turned ON.

To enable the external alarm, move dip switch S2-1 on the CPU Board to the ON position. See Section 7.1 - 18K CPU Board for switch details. For the location of the Alarm Relay, see the appropriate wiring diagram supplied with your system.

#### **4-8.4 Time-Out-Timer Enable (S3-2).**

The receiver contains a time-out-timer. If a receiver turned ON by a transmitter does not receive a signal from a transmitter for a period of 15 minutes, the receiver shuts down. Setting S3-2 to ON will disable this function for both PT15 (unlicensed) and PT90 (licensed) transmitters. See Section 7.1 - 18K CPU Board for switch details.

Please refer to the drawings that were shipped with your order.

# Section 5 – 18K Receiver Overview

## 5-1. 18K Receiver Overview.

A typical 18K receiver back panel layout is shown in Figure 5-1. Please refer to the drawings that were shipped out with your order. For specific part numbers for the system, refer to the Bill of Materials in the System Drawings. An optional smaller cabinet is available for smaller sized systems - see the System Drawings for layout and mounting details.

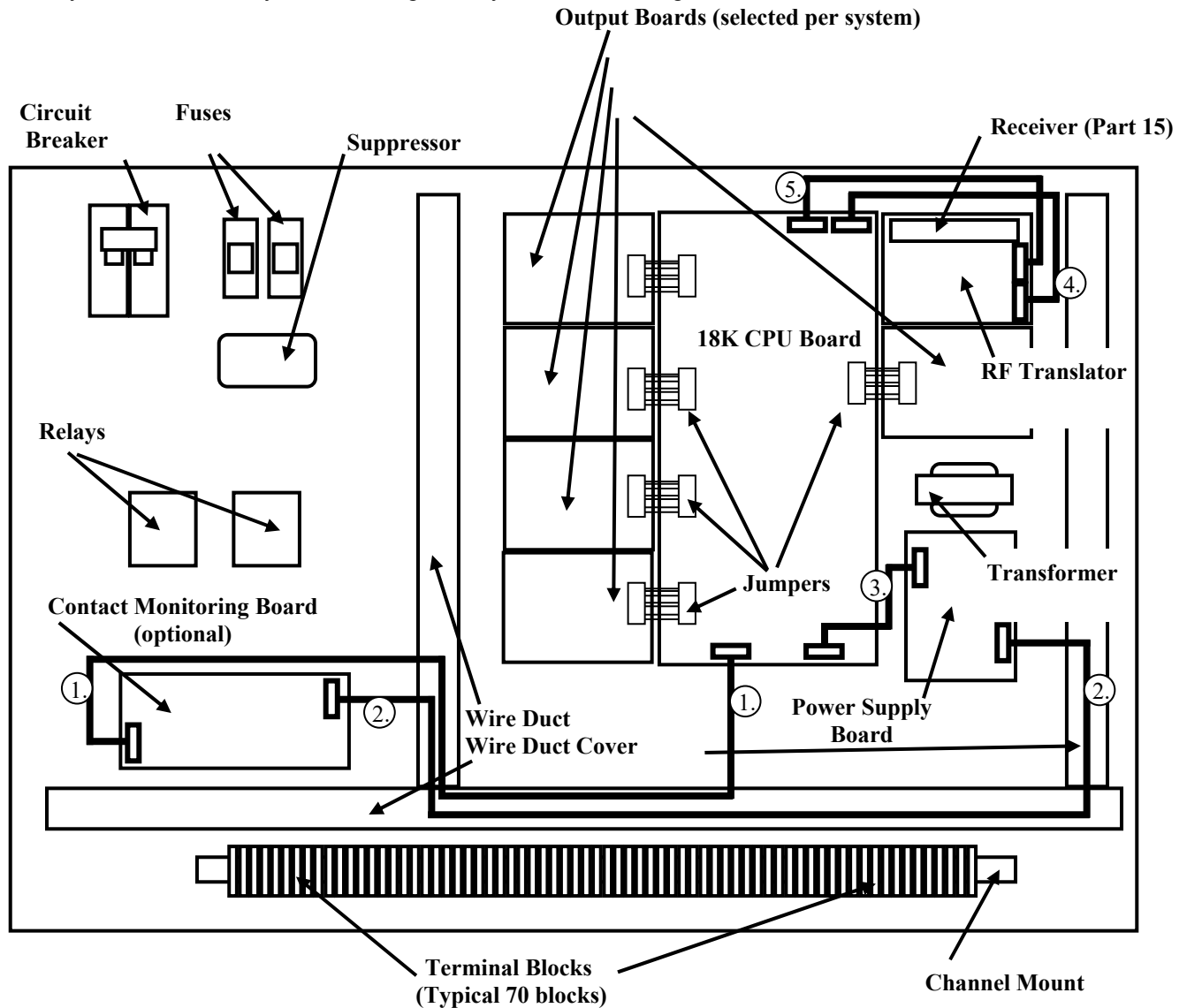


Figure 5-1. Typical 18K Receiver.

- Cables
- (1). RS485 cable
  - (2). DC power cable
  - (3). Power supply cable
  - (4). RS485 cable
  - (5). 6-conductor cable

## **Section 6 – 18K Receiver Spare Parts**

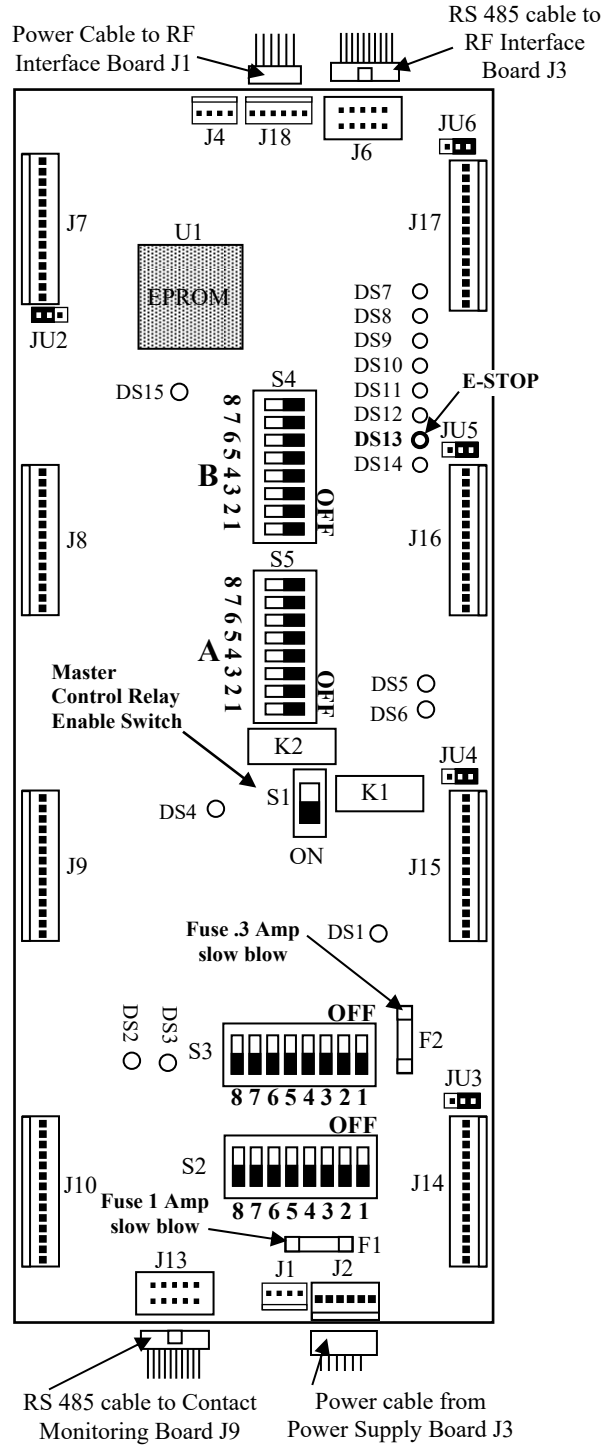
### **6-1. 18K Receiver Spare Parts.**

Please always check the Bill of Materials in the System Drawings to verify part numbers.

# Section 7 – 18K CPU Board

## 7-1. 18K CPU Board Setup Information.

The 18K CPU Board is shown in Figure 7-1. 18K CPU Board. Refer to paragraphs 7-1 through 7-5 for servicing procedures.



**Figure 7-1. 18K CPU Board.**  
E10111-0

## **Section 7 – 18K CPU Board (Continued)**

### **7-2. Operation.**

The CPU (Computer Processor Unit) Board consists of a microprocessor (EPROM) with built-in custom programming. The programming of the microprocessor (EPROM) will vary from application to application. Inquiries about the functionality or replacement parts can be ordered by referencing the job number of the receiver unit (found on the door label) or the part number on the microprocessor (EPROM) itself.

### **7-3. Programming Switches.**

The programming switches S2 and S3 control the following features:

Time-out Timer Disable – Switch S3-position 2 turn “ON” to disable receiver time-out-timer.

Auto Alarm Enable – Switch S2-position 1 turn “ON” to enable Auto Alarm.

E-STOP Alarm (In the Part 15 system only) Disable – To disable the E-STOP Alarm the move S2-2 to ON.

Contact Monitor Enable – Switch S2-position 4. To **disable** contact monitoring, turn switch S2-4 to ON **and** remove the J9 connector on the Contact Monitor Board.

*NOTE: These only apply to units originally programmed to utilize these features.*

### **7-4. Access Code Switches.**

Switches “A” and “B” on the CPU Board program the access code. If the access code needs to be set to match the transmitter or visa versa, match switch “A” to corresponding “A” position on the transmitter. Do the same for “B” on both the receiver and transmitter. If the codes do not match, you will get an error light DS9 on the CPU Board while transmitting. For Part 15 systems, all 16 switches are used. For Part 90 systems, the 12 bit access code is assigned starting with position A1 through A8 and then B1 through B4. For 8-bit access codes, switch B is not used.

### **7-5. Indicators.**

The LED indicators on the board indicate the following (see Table 7-1. CPU Board Diagnostic LED Functions):

## Section 7 – 18K CPU Board (Continued)

**Table 7-1. CPU Board Diagnostic LED Functions**

LED	COLOR	FUNCTION
DS1	Green	Monitors the 12 VDC power to the CPU Board. Normally ON. If 12 VDC power is present then the LED is illuminated. The LED is OFF if 12 VDC power is not present. Check power supply, fuses and if power is ON to receiver.
DS2	Green	Monitors + 5 VDC regulated voltage. Normally ON. If 5 VDC power is present then the LED is illuminated. The LED is OFF if 5 VDC power is not present. Check connectors, the +5 VDC regulator, or for shorts on the board.
DS3 Part 15 only	Red	Monitors closure of the Master Control Relay (MCR) relay (K1) (Part 15 Systems only) <i>No function on Part 90 systems.</i> Normally ON when receiver turned ON. The LED will extinguish when an OFF command has been transmitted, an E-STOP condition is present, or SW1 is set to OFF. The MCR controls the 12 VDC power to the Master Relay on the Power Supply Board.
DS4	Yellow	Monitors closure of the Security Relay output (K2). Normally ON when receiver turned ON. The LED will extinguish when an OFF command is transmitted or an E-STOP condition is present. The Security Relay controls the 12 VDC power to the MCR relay (K2) and the power to the coils of the control relays (K1 through K8) on the Relay Output Modules.
DS5	Yellow	Monitors the AC bias pump line for the Security Relay (K2). Normally FLASH when receiver turned ON. The Security Relay is enabled by an AC signal generated by the slave microprocessor. The AC signal is capacitively isolated from the slave microprocessor to help prevent the Security Relay from being latched ON if the slave microprocessor fails. The LED will not be illuminated when an OFF command has been sent or an E-STOP condition is present.
DS6	Yellow	Monitors AC bias pump line for the Master Control Relay (K1). Normally ON when receiver turned ON. (Continued on next page)



## Section 7 – 18K CPU Board (Continued)

**Table 7-1. CPU Board Diagnostic LED Functions (continued)**

LED	COLOR	FUNCTION
DS6 (continued)	Yellow	The Master Control Relay (K1) is enabled by an AC signal generated by the slave microprocessor. The AC signal is capacitively isolated from the slave microprocessor to help prevent the MCR from being latched ON if the slave microprocessor fails. The LED will not be illuminated when an OFF command has been sent or is in an E-STOP mode.
DS7	Yellow	Monitors the connection through the RS485 port “J6” to the RF Translator Board.  Normally ON and DIM or rapidly flashing.  When the LED is out, CPU Board is not properly connected to the RF Translator Board.
DS8	Yellow	Monitors the connection through the RS485 port “J13” to the Contact Monitoring Board (Optional).  Normally ON and DIM or rapidly flashing.  When the LED is out, CPU Board is not connected to the Contact Monitoring Board (Optional) or contact monitoring is disabled. Setting switch S2 on CPU Board to “ON” will disable contact monitoring.
DS9	Red	Not used in this model.  Normally OFF.
DS10	Yellow	Monitors system activity.  Normally FLASHING.  If not flashing the microprocessor (EPROM) is inoperative.
DS11	Red	Monitors the ON command from the Transmitter.  The LED will flash when an ON command is being received from the Transmitter.  This should light while pushing the ON button on the Transmitter.
DS12	Red	Monitors the OFF command from the Transmitter.  The LED will flash when an OFF command is being received from the Transmitter Unit.  This should light while pushing the OFF button on the Transmitter.

## Section 7 – 18K CPU Board (Continued)

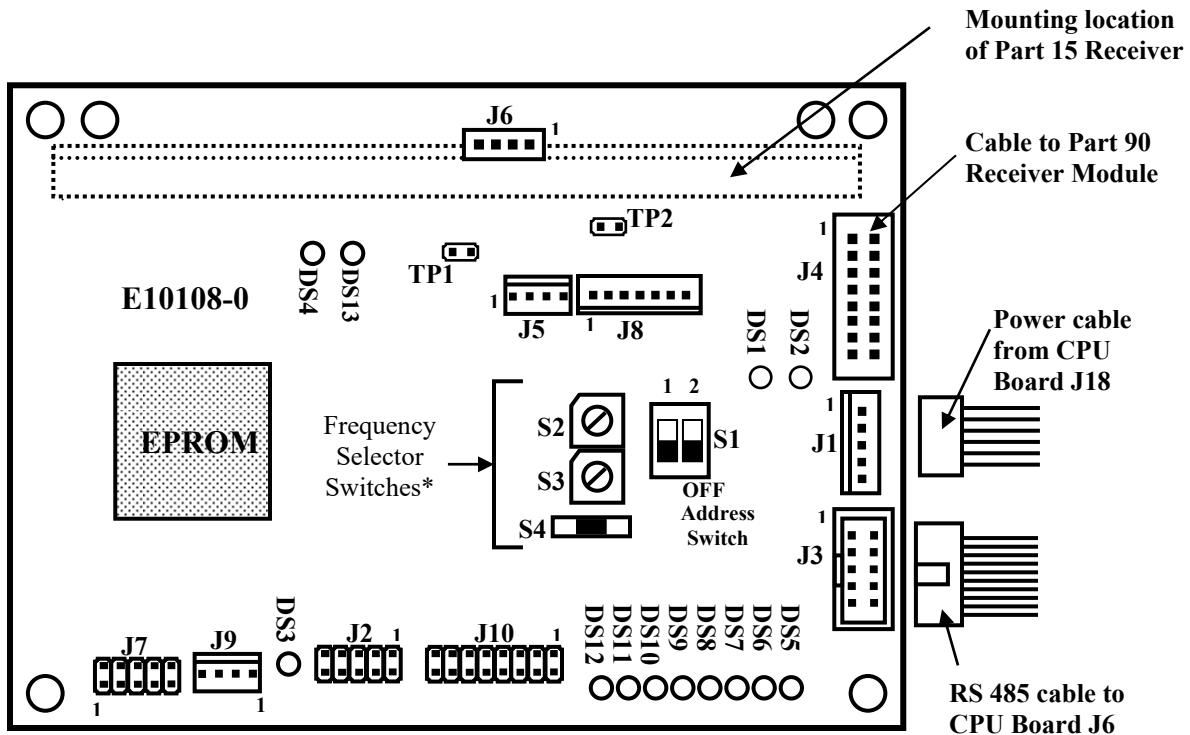
**Table 7-1. CPU Board Diagnostic LED Functions (continued)**

LED	COLOR	FUNCTION
DS13 Part 15 only.	Red	<p>Monitors E-STOP condition Part 15 only. <i>No function on Part 90 systems.</i></p> <p>Normally OFF.</p> <p>The LED will flash when an E-STOP command is transmitted and illuminate continuously when the E-STOP condition is in effect. An E-STOP condition may be created when an E-STOP command is transmitted or when a failure mode is detected by the slave microprocessor. A contact monitoring error (for those units so equipped) will cause an E-STOP and illuminate DS13. If both DS9 and DS13 are illuminated, the incoming data on the ICC bus has been corrupted.</p>
DS14	Yellow	<p>Monitors the AC activity for the Security Relay (K1).</p> <p>Normally ON.</p> <p>If the system is ON and the light is not lit there is a serious microprocessor (EPROM) error.</p>
DS15	Red	<p>Monitors the watchdog timer.</p> <p>Normally OFF.</p> <p>The LED will illuminate momentarily when power is applied to or removed from the system. If the LED is continuously flashing or on, the microprocessor (EPROM) is not working properly. If the LED is illuminated constantly (no flashing), the +5 VDC is probably too low. This could be caused by shorts on the board or by a defective voltage regulator. If the LED flashes at a constant rate, the microprocessor (EPROM) may be inoperative.</p>

# Section 8 – 18K RF Translator Board

## 8-1. 18K RF Translator Board Setup Information.

The 18K RF Translator Board is shown in Figure 8-1. Refer to paragraphs 8-1 through 8-5 for setup and servicing procedures.



**Figure 8-1. RF Translator Board  
E10108-0**

## 8-2. Operation.

The RF Translator Board consists of a microprocessor (EPROM) with built-in custom programming. The programming of the microprocessor (EPROM) will vary from application to application. Inquiries about the functionality or replacement parts can be ordered by referencing the job number of the receiver unit (found on the door label) or the part number on the microprocessor (EPROM) itself. Typical receiver modules are the Part 15 UHF E13158, Part 90 VHF E7160 or E7161 series, and the Part 90 UHF E7170 or E7172 series.

## 8-3. Address Programming Switch.

The programming switch S1 sets the address of this board if multiple boards are present. Normally the two switches of S1 should be set to "OFF". If multiple boards are present, the switches are set in binary from one sequentially up to four.

## 8-4. Frequency Selector Switches (Optional For Synthesized RF Devices).

The programming switches S2, S3 and S4 control the synthesizer programming (*these only apply to certain Part 90 licensed receivers; S4 enables active E-STOP on Part 15 receivers*).

**NOTE:** Use the switch designators listed here for programming, as some early boards were incorrectly marked. See your System Drawings for frequency information.

## Section 8 – 18K RF Translator Board (Continued)

*\*NOTE: When a system is ordered with a transmitter that has a key switch, active E-STOP is enabled by default when the system is shipped from the factory.*

Active E-STOP is a feature which causes the receiver to shut down and drop the mainline if the transmitter is out of range. For this to work the companion transmitter must have this feature also. Please check the appropriate transmitter manual to see if your transmitter has this capability. All part 15 18K receivers will have this feature enabled by default if the transmitter has a key switch. It is not recommended to have multiple systems in the same area (600 feet) on the same frequency/channel if Active E-STOP is used, due to the additional frequency/channel loading.

**8-5.** For specific programming for Part 90 licensed receivers see Table 8-2: Receiver Synthesizer Programming.

### 8-6. Indicators.

The LED indicators on the board indicate the following (see Table 8-1. RF Translator Board Diagnostic LED Functions):

**Table 8-1. RF Translator Board Diagnostic LED Functions.**

LED	COLOR	FUNCTION
DS1	Green	Monitors the 12 VDC power to the RF Translator Board. Normally ON.  If 12 VDC power is present then the LED is illuminated. The LED is OFF if 12 VDC power is not present. Check power supply, fuses and if power is ON to receiver.
DS2	Green	Monitors + 5 VDC regulated voltage. Normally ON.  If 5 VDC power is present then the LED is illuminated. The LED is OFF if 5 VDC power is not present. Check connectors, the +5 VDC regulator, or for shorts on the board.
DS3	Red	Monitors the watchdog timer. Normally OFF.  The LED will illuminate momentarily when power is applied to or removed from the system. If the LED is continuously flashing or ON, the microprocessor is not working properly. If the LED is illuminated constantly (no flashing), the +5 VDC is probably too low. This could be caused by shorts on the board or by a defective voltage regulator. If the LED flashes at a constant rate, the microprocessor (EPROM) on the RF Translator Board may be inoperative.
DS4	Yellow	Monitors the connection of the RS485 port "J3" to the CPU Board. Normally ON.  When the LED is OFF solid the CPU Board is not connected to the RF Translator Board.

## Section 8 – 18K RF Translator Board (Continued)

LED	COLOR	FUNCTION
DS5	Red	Looks for corrupted data to microprocessor. Normally OFF. When the LED is ON solid the CPU Board is not connected to the RF Translator Board
DS6 Part 15 only.	Red	Not used for licensed frequency transmitters. Part 15 only. ON indicates Multibox and/or Pitch and Catch is enabled. (If Pitch and Catch is enabled DS8 will also be ON.)
DS7	Red	Monitors data errors. The LED will flash occasionally when a command is being received from the Transmitter Unit. Continued flashing indicates corrupted data.
DS8 Part 15 only.	Red	Not used for licensed frequency transmitters. Part 15 only. ON indicates Pitch and Catch enabled. (If Pitch and Catch is enabled DS6 will also be ON.)
DS9	Yellow	Monitors system activity. Normally FLASHING very fast. If not flashing the microprocessor (EPROM) is inoperative on the RF Translator Board.
DS10	Red	Monitors received data errors. Normally OFF. An ON or flashing LED during data transmission may indicate interference of the received data. If the LED is illuminated continuously when data is transmitted and the system will not respond, the Access Code of the Receiver and Transmitter Units may not match. If the LED is illuminated when data is not transmitted, another Transmitter Unit may be present on the same frequency with a different Access Code. The presence of activity on this LED does not necessarily indicate a problem; it should be used with other indicators in analyzing system status.
DS11	Yellow	Monitors the voltage level between RF Receiver Board and RF Translator Board. Normally ON. OFF indicates a malfunctioning RF Receiver Board. Momentary OFF or sudden brightness could indicate RF interference.

## Section 8 – 18K RF Translator Board (Continued)

LED	COLOR	FUNCTION
DS12 Part 15 only.	Yellow	<p>Monitors data synchronization. (Flashes when a properly formatted data signal is received, for Part 15 is ON when transmitter is transmitting or ON continuously for Part 90 transmitter turned ON).</p> <p>This LED will light rapidly when data is transmitted. The LED can be used with DS10 to analyze incoming data. If DS10 is illuminated or flashing when DS12 is also flashing, another Transmitter Unit on the same frequency may be present. This is normal. As more Transmitter Units operated on the same frequency, LED will flash brighter and more often.</p>
DS13 Part 15 only.	Yellow	<p>Monitors the connection of RS485 port “J3” to the CPU Board. Normally rapidly flashing.</p> <p>When the LED is ON solid the CPU Board is not connected to the RF Translator Board.</p>

## Section 8 – 18K RF Translator Board (Continued)

**Table 8-2. Part 90 Receiver Programming.**

Associated RF Frequencies		RF Translator Board Setting		
In MHz.	T#	S4	S3	S2
40.01		1	3	0
40.03		1	2	E
40.05		1	2	C
40.07		1	2	A
40.09		1	2	8
40.11		1	2	6
40.13		1	2	4
40.15		1	2	2
40.17		1	2	0
40.19		1	1	E
40.21		1	1	C
40.23		1	1	A
40.25		1	1	8
40.27		1	1	6
40.29		1	1	4
40.31		1	1	2
40.33		1	1	0
40.35		1	0	E
40.37		1	0	C
40.39		1	0	A
40.41		1	0	8
40.43		1	0	6
40.45		1	0	4
40.47		1	0	2
40.49		1	0	0
40.51		0	F	E
40.53		0	F	C
40.55		0	F	A
40.57		0	F	8
40.59		0	F	6
40.61		0	F	4
40.63		0	F	2
40.65		0	F	0
40.67		0	E	E
40.69		0	E	C
40.71		0	E	A
40.73		0	E	8
40.75		0	E	6
40.77		0	E	4
40.79		0	E	2
40.81		0	E	0
40.83		0	D	E
40.85		0	D	C
40.87		0	D	A
40.89		0	D	8
40.91		0	D	6
40.93		0	D	4
40.95		0	D	2

Associated RF Frequencies		RF Translator Board Setting		
In MHz.	T#	S4	S3	S2
40.97		0	D	0
40.99		0	C	E
41.01		0	C	C
41.03		0	C	A
41.05		0	C	8
41.07		0	C	6
41.09		0	C	4
41.11		0	C	2
41.13		0	C	0
41.15		0	B	E
41.17		0	B	C
41.19		0	B	A
41.21		0	B	8
41.23		0	B	6
41.25		0	B	4
41.27		0	B	2
41.29		0	B	0
41.31		0	A	E
41.33		0	A	C
41.35		0	A	A
41.37		0	A	8
41.39		0	A	6
41.41		0	A	4
41.43		0	A	2
41.45		0	A	0
41.47		0	9	E
41.49		0	9	C
41.51		0	9	A
41.53		0	9	8
41.55		0	9	6
41.57		0	9	4
41.59		0	9	2
41.61		0	9	0
41.63		0	8	E
41.65		0	8	C
41.67		0	8	A
41.69		0	8	8
41.71		0	8	6
41.73		0	8	4
41.75		0	8	2
41.77		0	8	0
41.79		0	7	E
41.81		0	7	C
41.83		0	7	A
41.85		0	7	8
41.87		0	7	6
41.89		0	7	4
41.91		0	7	2
41.93		0	7	0

## Section 8 – 18K RF Translator Board (Continued)

**Table 8-2. Part 90 Synthesized Receiver Programming (Continued)**

Associated RF Frequencies		RF Translator Board Setting		
In MHz.	T#	S4	S3	S2
41.95		0	6	E
41.97		0	6	C
41.99		0	6	A
49.61		0	7	0
49.63		0	6	E
49.65		0	6	C
49.67		0	6	A
49.69		0	6	8
49.71		0	6	6
49.73		0	6	4
49.75		0	6	2
49.77		0	6	0
49.79		0	5	E
49.81		0	5	C
49.83		0	5	A
49.85		0	5	8
49.87		0	5	6
49.89		0	5	4
49.91		0	5	2
49.93		0	5	0
49.95		0	4	E
49.97		0	4	C
49.99		0	4	A
72.02	LR-11	1	0	5
72.04	LR-21	1	0	4
72.06	LR-12	1	0	3
72.08	LR-22	1	0	2
72.10	LR-13	1	0	1
72.12	LR-23	1	0	0
72.14	LR-14	0	F	F
72.16	LR-24	0	F	E
72.18	LR-15	0	F	D
72.20	LR-25	0	F	C
72.22	LR-16	0	F	B
72.24	LR-26	0	F	A
72.26	LR-17	0	F	9
72.28	LR-27	0	F	8
72.30	LR-18	0	F	7
72.32	LR-28	0	F	6
72.34	LR-19	0	F	5
72.36	LR-29	0	F	4
72.38	LR-20	0	F	3
72.40	LR-30	0	F	2
72.42		0	F	1
72.44	LR-1	0	F	0
72.46		0	E	F
72.48	LR-2	0	E	E
72.50		0	E	D

Associated RF Frequencies		RF Translator Board Setting		
In MHz.	T#	S4	S3	S2
72.52	LR-3	0	E	C
72.54		0	E	B
72.56	LR-4	0	E	A
72.58		0	E	9
72.60	LR-5	0	E	8
72.62		0	E	7
72.64		0	E	6
72.66		0	E	5
72.68		0	E	4
72.70		0	E	3
72.72		0	E	2
72.80		0	D	E
72.90		0	D	9
75.34		0	5	F
75.42		0	5	B
75.44	LR-6	0	5	A
75.48	LR-7	0	5	8
75.52	LR-8	0	5	6
75.54		0	5	5
75.56	LR-9	0	5	4
75.58		0	5	3
75.60	LR-10	0	5	2
75.62		0	5	1
75.64		0	5	0
75.66		0	4	F
75.70		0	4	D
75.72		0	4	C
75.82		0	4	7
75.84		0	4	6
75.86		0	4	5
75.90		0	4	3
467.750		0	2	1
467.7625		0	4	2
467.775		0	2	0
467.7875		0	4	0
467.800		1	1	F
467.8125		1	3	E
467.825		1	1	E
467.8375		1	3	C
467.850		1	1	D
467.8625		1	3	A
467.875		1	1	C
467.8875		1	3	8
467.900		1	1	B
467.9125		1	3	6
467.925		1	1	A
467.9375		1	3	4
467.9625		1	3	2
467.9875		1	3	0
468.0125		1	2	E

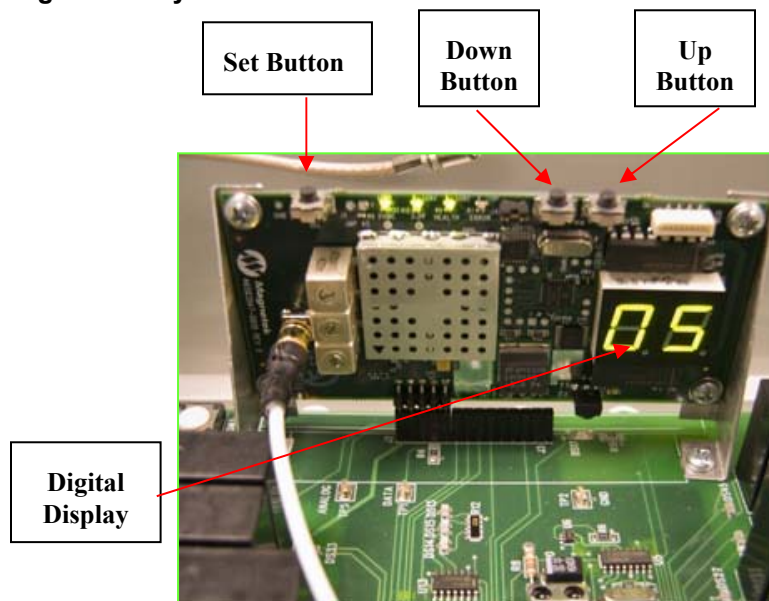


## Section 8 – 18K RF Translator Board (Continued)

RF Boards (requires bracket P/N 17774T)		
23956T	Part 90, 72.00 – 73.00MHz, TMS	Even Frequencies only
23953T	Part 90, 72.00 – 73.00MHz, Continuous Carrier	
23958T	Part 90, 73.01 – 74.99MHz, TMS	All Frequencies
23955T	Part 90, 73.01 – 74.99MHz, Continuous Carrier	
23957T	Part 90, 75.00 – 76.00MHz, TMS	Even Frequencies Only
23954T	Part 90, 75.00 – 76.00MHz, Continuous Carrier	
23958T	Part 90, 75.01 – 75.39MHz, TMS	Odd Frequencies Only
23955T	Part 90, 75.01 – 75.39MHz, Continuous Carrier	

### 8-7. Part 15 Channel and Frequency Designations by Count.

Indicator Count	Channel Designator	Actual Frequency
1.	AK01	439.8 MHz
2.	AK02	439.6 MHz
3.	AK03	439.4 MHz
4.	AK04	439.2 MHz
5.	AK05	439.0 MHz
6.	AK06	438.8 MHz
7.	AK07	438.6 MHz
8.	AK08	438.4 MHz
9.	AK09	438.2 MHz
10.	AK10	438.0 MHz
11.	AK11	437.8 MHz
12.	AK12	437.6 MHz
13.	AK13	437.4 MHz
14.	AK14	437.2 MHz
15.	AK15	437.0 MHz
16.	AK16	436.8 MHz
17.	AK17	436.6 MHz
18.	AK18	436.4 MHz
19.	AK19	436.2 MHz
20.	AK20	436.0 MHz
21.	AKA00	433.125 MHz
22.	AKA01	433.325 MHz
23.	AKA02	433.525 MHz
24.	AKA03	433.725 MHz
25.	AKA04	433.925 MHz
26.	AKA05	434.125 MHz
27.	AKA06	434.325 MHz
28.	AKA07	434.525 MHz
29.	AKA08	434.725 MHz
30.	AK38	432.4 MHz
31.	AK50	430.0 MHz



### 8-8. Manually Reprogramming The Part 15 Receiver Module.

To change the frequency, find the indicator count on the “Channel and Frequency Designation by Count” for your desired frequency. To increase the indicator count, press the up button until the proper indicator count is displayed, then press the set button.

To decrease the indicator count, press the down button until the proper indicator count is displayed, then press the set button.

## Section 8 – 18K RF Translator Board (Continued)

### 8-9. Signal Strength Indicator Mode

The new Receiver Module is capable of measuring the signal strength for the selected channel. To set the Receiver Module to the signal strength indicator mode, press and hold the set button until the digital display goes blank, then release the set button. Now, the display will indicate the strength of a signal on that channel (ex. A strong signal displays up to 55 and a weak signal displays 1 or is off).

This feature can be helpful in identifying the best frequency for your Magnetek Telemotive System. If your transmitter is off and the signal indicator shows a number, consider moving the system to another frequency.

#### **Industry Canada Statement per Section 4.0 of RSP-100**

The term "IC:" before the certification / registration number only signifies that the Industry Canada technical specifications were met.

#### **Section 7.1.5 of RSS-GEN**

Operation is subject to the following two conditions:

- 1) This device may not cause harmful interference, and
- 2) This device must accept any interference received, including interference that may cause undesired operation.

#### **Compliance Statement (Part 15.19)**

This device complies with Part 15 of the FCC Rules.

Operation is subject to the following two conditions:

1. This device may not cause harmful interference, and
2. This device must accept any interference received, including interference that may cause undesired operation.

#### **Warning (Part 15.21)**

Changes or modifications not expressly approved by the party responsible for compliance could void the user's authority to operate the equipment.

#### **FCC Interference Statement (Part 15.105 (b))**

This equipment has been tested and found to comply with the limits for a Class B digital device, pursuant to Part 15 of the FCC Rules. These limits are designed to provide reasonable protection against harmful interference in a residential installation. This equipment generates uses and can radiate radio frequency and, if not installed and used in accordance with the instructions, may cause harmful interference to radio communications. However, there is no guarantee that interference will not occur in a particular installation. If this equipment does cause harmful interference to radio or television reception, which can be determined by turning the equipment off and on, the user is encouraged to try to correct the interference by one of the following measures:

- Reorient or relocate the receiving antenna
- Increase the separation between the equipment and receiver
- Connect to the equipment into an outlet on a circuit different from that to which the receiver is connected
- Consult the dealer or an experienced radio/TV technician for help.

# Section 9 – 18K RF71K RF/Translator Board

## 9. 18K RF71K RF Translator Board Setup Information.

The 18K RF71K RF/Translator Board is shown in Figure 9-1. Refer to paragraph 9-1 for setup and servicing procedures.

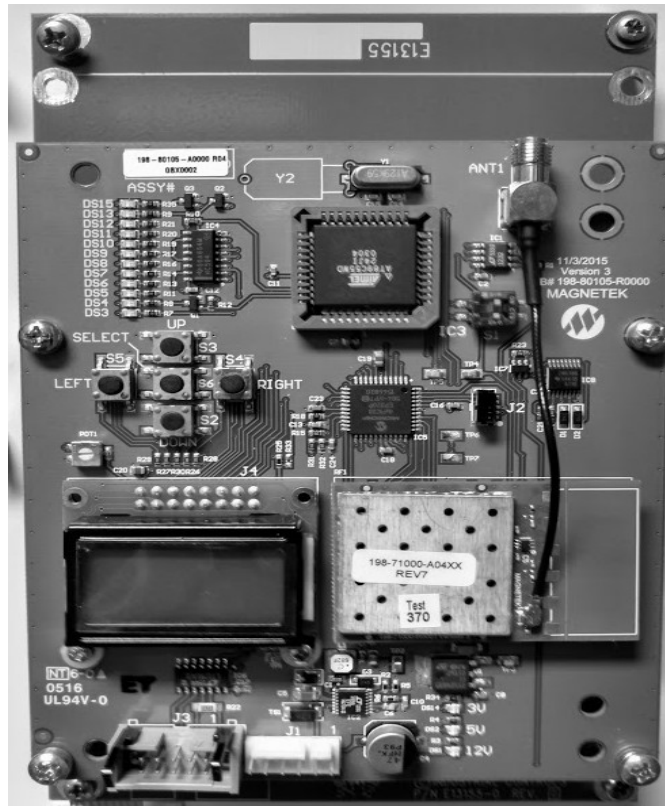


Figure 9-1: RF71K RF/Translator Board 1

### 9-1. Operation.

#### a. PT90 18K RF71K RF & Translator assembly programming.

This section will cover how to navigate the PT90 user interface to program the selections within the following screens:

- **Home** Screen
- **Range Select** Screen
- **Frequency Select** Screen
- **Dipswitch Setting** Screen

#### 1. **Home** screen

This screen comes up after the unit is initially powered. There are two lines displayed with eight total characters per line. Line 1 will display the current frequency. Line 2 will display either “SCANNING” or “RSSI ## “. While in the scanning mode, a series of frequencies will be displayed until the scan is completed. Once the receiver has completed scanning, the home screen will then display “RSSI” (Radio Signal Strength Indication) followed by a number (0-10) to show how active that frequency is.

## Section 9 – 18K RF71K RF/Translator Board (Continued)

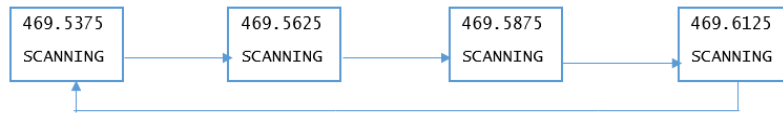


Figure 9-2: Example of the home screen scanning sequence



Figure 9-3: Example of standard Home screen after Scanning is completed

**NOTE:** Channel scanning is overridden if Range select is set to “Generic”.

To navigate from the Home screen, the user can manipulate the menu by one of two methods.

- To navigate to the Range Select Screen from the Home screen, the user would press [Up, Down, Left and Right] all together for 2 seconds.

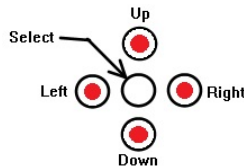


Figure 9-4: Home to Range Select Function (Up, Down, Left and Right)

- To navigate to the **Dipswitch** or **Frequency Select** screen from the **Home** screen, the user would press the Select button in the center of the grouping.

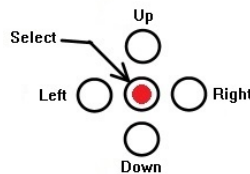


Figure 9-5: Home to Frequency Select function

**NOTE:** When the Frequency selection is set within a generic frequency range and saved, pressing the center button while on the Home screen will take the user to the Frequency Select screen. However, if the frequency setting is set for one of the two standard ranges, or any of the 4 offset ranges, pressing the center Select button while on the Home screen will take the user to the Dipswitch screen.

## Section 9 – 18K RF71K RF/Translator Board (Continued)

### 2. Range Select screen

The Range Select screen displays the low/high boundaries of frequencies available through the Dipswitch screen settings (for preset/tuned frequencies) or through generic frequency settings (where the user sets a specific frequency). While in the Range Select screen, the user can either modify the frequency of the Generic frequency or move through the set of standard or offset frequencies. To cycle through the options, the user would press the Up or Down button to increment or decrement the numerical value or ranges as needed. When the value is set to what is needed, the Select button should be pressed to save this setting and return to the Home screen.

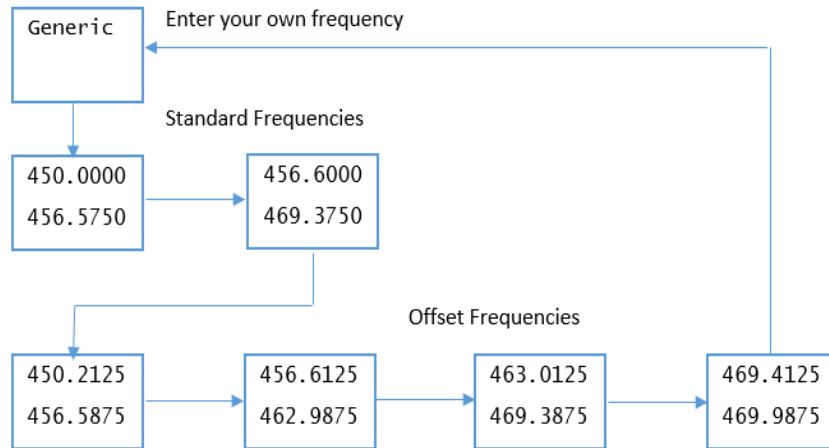


Figure 9-6: Range Select scroll cycle.

### 3. Frequency Select screen

When a Generic frequency is selected and saved into memory, pressing the center Select button while on the Home screen will take the user to the Frequency Select screen. Here the user can modify the generic frequency by using the left and right buttons to move the blinking cursor over the number they wish to modify. Then the user would press the Up and Down buttons to increment and/or decrement that number accordingly. Once the user has completed setting the frequency they wish to use, pressing the center Select button will save that frequency and return the user to the Home screen.

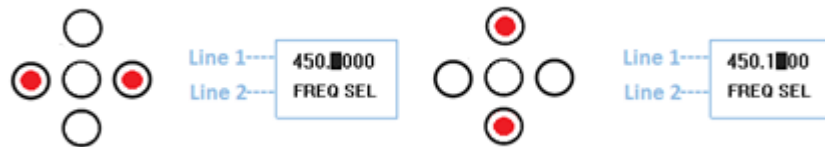


Figure 9-7: Entering a number in Frequency Select mode.

**NOTE:** If an invalid frequency is entered, the display will show an error message (for approximately 1 second) stating “Invalid Channel” and return the user to the Frequency select mode.

## Section 9 – 18K RF71K RF/Translator Board (Continued)

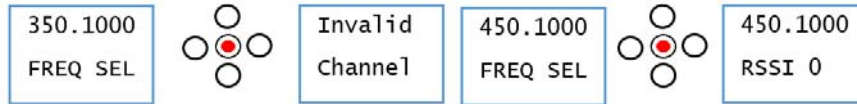


Figure 9-8: Invalid Frequency entered while in Frequency select mode.

### 4. Dipswitch screen

When the frequency range is not set to a Generic setting and the user presses the center Select button, the screen changes to the Dipswitch screen. Here the user can fine-tune one of the standard or offset ranges to a specific frequency by using the virtual dipswitches. Please refer to drawings for specific settings.

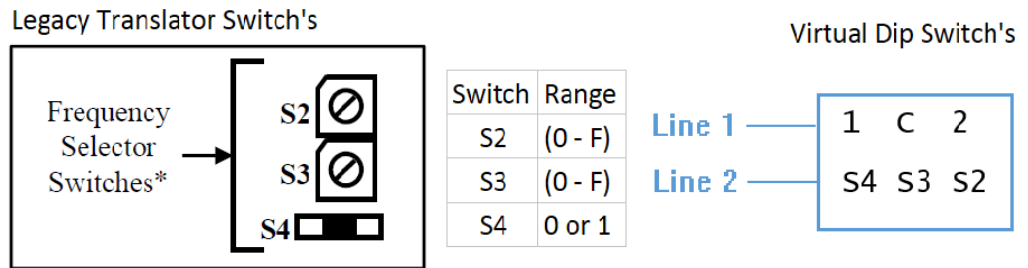


Figure 9-9: Old Dip Switch settings to new Virtual Dip Switch settings.

To update the virtual dipswitch settings, the user can modify the setting by using the left and right buttons to move the blinking cursor over the number they wish to change. Then the user would press the Up and Down buttons to increment and/or decrement that number accordingly. Once the user has completed updating the settings they wish to use, pressing the center Select button will save that frequency and return the user to the Home screen.

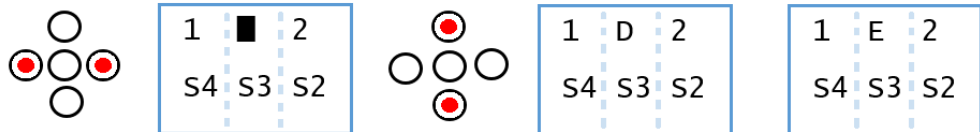
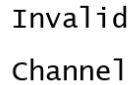


Figure 9-10: Adjusting the virtual dipswitches.

Please reference the radio specific project drawings for the system being programmed for virtual dipswitch and frequency settings.

**NOTE:** If the operator were to enter an invalid dipswitch setting, the display will show an "Invalid Channel" error before returning to the dipswitch mode. Only valid settings will be saved.

## Section 9 – 18K RF71K RF/Translator Board (Continued)



Invalid  
Channel

Figure 9-11: An invalid dipswitch setting has been made based on other settings provided.

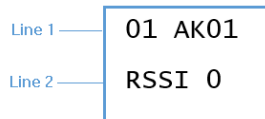
### b. PT15 18K RF71K RF & Translator assembly programming

This section will cover how to navigate the PT15 user interface to program the selections within the following screens;

- **Home** Screen
- **Configuration** Screen
  - **Channel** Screen
  - **Active E-Stop Setting** Screen

#### 1. **Home** screen

This is the screen that comes up after the unit is initially powered. There are two lines displayed, with eight total characters per line. Line 1 will display the current channel number and channel name. Line 2 will display the RSSI (Radio Signal Strength Indication) value (0 (Lowest) – 10 (Highest)), showing how active that frequency is.



Line 1 — 01 AK01  
Line 2 — RSSI 0

Figure 9-12: Example PT15 Home screen

To navigate from the Home screen to the Configuration screen the user would just press the center Select button.

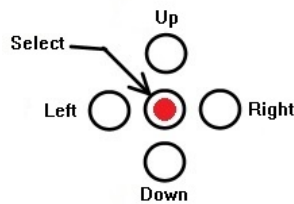


Figure 9-13: Moving from the Home screen to the Configuration screen.

## Section 9 – 18K RF71K RF/Translator Board (Continued)

### 2. Configuration screen

To enter the configuration screen from the home screen, the user must press the center Select button from the grouping seen in Figure 9-14. The Configuration screen is similar to the Home screen, with the exception of Line 2 displaying the actual Frequency of the Channel in Line 1. There are also two sub-screens that can be accessed by pressing the left or right pushbuttons to cycle through (see Figure 9-15):

- **Channel** Screen
- **Active E-Stop** Screen

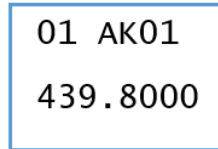


Figure 9-14: Configuration screen with sub-screens below.

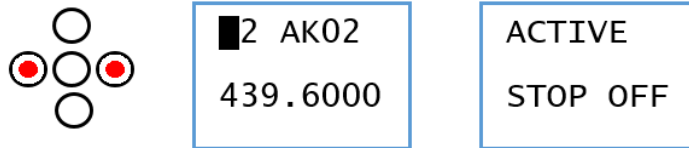


Figure 9-15: Use the Left and Right buttons to access the Configuration sub-screens for Channel and Active E-Stop.

#### a. Channel screen

The channel sub-configuration screen is just for the modification of what channel the system is operating on. To modify this setting, press the Up or Down buttons to increment/decrement the channel number as needed (see Figures 9-17 and 9-18 for a list of valid channels). To save the entry and return to the Home screen, press the center Select button.

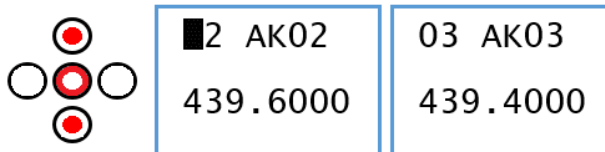


Figure 9-16: PT15 Channel changing up or down.



## Section 9 – 18K RF71K RF/Translator Board (Continued)

Channel Number	Channel Designator	Actual Freq. in MHz
1	AK01	439.8000
2	AK02	439.6000
3	AK03	439.4000
4	AK04	439.2000
5	AK05	439.0000
6	AK06	438.8000
7	AK07	438.6000
8	AK08	438.4000
9	AK09	438.2000
10	AK10	438.0000
11	AK11	437.8000
12	AK12	437.6000
13	AK13	437.4000
14	AK14	437.2000
15	AK15	437.0000
16	AK16	436.8000
17	AK17	436.6000
18	AK18	436.4000
19	AK19	436.2000
20	AK20	436.0000

Figure 9-17: List of standard channel numbers

Channel Number	Channel Designator	Actual Freq. in MHz
21	AKA00	433.1250
22	AKA01	433.3250
23	AKA02	433.5250
24	AKA03	433.7250
25	AKA04	433.9250
26	AKA05	434.1250
27	AKA06	434.3250
28	AKA07	434.5250
29	AKA08	434.7250
38	AK38	432.4000
50	AK50	430.0000

Figure 9-18: Non-Standard channel numbers.

b. **Active E-Stop** screen

The Active E-Stop will allow the receiver to go into an E-stop state if radio transmissions are ever interrupted by either a stronger signal on that frequency, or by the transmitter being too far away from the receiver to read. To activate this setting, start at the Home screen and press the center Select button. Then, from the Configuration screen, use the left or right button to scroll to the Active E-Stop screen. Use the Up and Down buttons to toggle Active E-Stop on and off as needed. Once the setting is as updated, pressing the center Select button will save the setting and return the user to the Home screen.

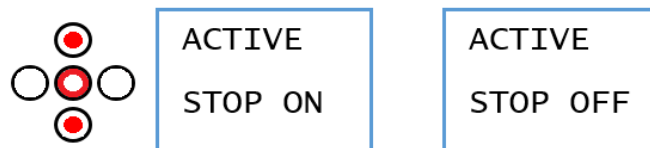


Figure 9-19: Active E-Stop Screen settings

## Section 9 – 18K RF71K RF/Translator Board (Continued)

### 9-2. Indicators.

The LED indicators on the board indicate the following (see Table 9-1. RF Translator Board Diagnostic LED Functions):

**Table 9-1. RF Translator Board Diagnostic LED Functions.**

LED	COLOR	FUNCTION
DS1	Green	Monitors the 12 VDC power to the RF Translator Board. Normally ON.  If 12 VDC power is present then the LED is illuminated. The LED is OFF if 12 VDC power is not present. Check power supply, fuses, and if power is ON to receiver.
DS2	Green	Monitors + 5 VDC regulated voltage. Normally ON.  If 5 VDC power is present then the LED is illuminated. The LED is OFF if 5 VDC power is not present. Check connectors, the +5 VDC regulator, or for shorts on the board.
DS3	Red	Monitors the watchdog timer. Normally OFF.  The LED will illuminate momentarily when power is applied to or removed from the system. If the LED is continuously flashing or ON, the microprocessor is not working properly. If the LED is illuminated constantly (no flashing), the +5 VDC is probably too low. This could be caused by shorts on the board or by a defective voltage regulator. If the LED flashes at a constant rate, the microprocessor (EPROM) on the RF Translator Board may be inoperative.
DS4	Yellow	Monitors the connection of the RS485 port "J3" to the CPU Board. Normally ON.  When the LED is OFF solid the CPU Board is not connected to the RF Translator Board.
DS5	Red	Looks for corrupted data to microprocessor. Normally OFF.  When the LED is ON solid the CPU Board is not connected to the RF Translator Board.
DS6 Part 15 only.	Red	Not used for licensed frequency transmitters. Part 15 only. ON indicates Multibox and/or Pitch and Catch is enabled. (If Pitch and Catch is enabled DS8 will also be ON.)
DS7	Red	Monitors data errors.  The LED will flash occasionally when a command is being received from the Transmitter Unit.  Continued flashing indicates corrupted data.

## Section 9 – 18K RF71K RF/Translator Board (Continued)

**Table 9-1. RF Translator Board Diagnostic LED Functions (continued)**

LED	COLOR	FUNCTION
DS8 Part 15 only.	Red	Not used for licensed frequency transmitters. Part 15 only. ON indicates Pitch and Catch enabled. (If Pitch and Catch is enabled DS6 will also be ON.)
DS9	Yellow	Monitors system activity. Normally FLASHING very fast. If not flashing the microprocessor (EPROM) is inoperative on the RF Translator Board.
DS10	Red	Monitors received data errors. Normally OFF. An ON or flashing LED during data transmission may indicate interference of the received data. If the LED is illuminated continuously when data is transmitted and the system will not respond, the Access Code of the Receiver and Transmitter Units may not match. If the LED is illuminated when data is not transmitted, another Transmitter Unit may be present on the same frequency with a different Access Code. The presence of activity on this LED does not necessarily indicate a problem; it should be used with other indicators in analyzing system status.
DS11	Yellow	Monitors the voltage level between RF Receiver Board and RF Translator Board. Normally ON. OFF indicates a malfunctioning RF Receiver Board. Momentary OFF or sudden brightness could indicate RF interference.
DS12 Part 15 only.	Amber	Monitors data synchronization. (Flashes when a properly formatted data signal is received, for Part 15 it is ON when transmitter is transmitting or ON continuously, for Part 90 only while transmitter is turned ON initially). This LED will light rapidly when data is transmitted. The LED can be used with DS10 to analyze incoming data. If DS10 is illuminated or flashing when DS12 is also flashing, another Transmitter Unit on the same frequency may be present. This is normal. As more Transmitter Units operate on the same frequency, the LED will flash brighter and more often.
DS13 Part 15 only.	Yellow	Monitors the connection of RS485 port "J3" to the CPU Board. Normally rapidly flashing. When the LED is ON solid, the CPU Board is not connected to the RF Translator Board.
DS15	Green	Blinks when a valid access code message is passed.

## **Section 9 – 18K RF71K RF/Translator Board (Continued)**

### **Industry Canada Statement per Section 4.0 of RSP-100**

The term "IC:" before the certification/registration number only signifies that the Industry Canada technical specifications were met.

### **Section 7.1.5 of RSS-GEN**

Operation is subject to the following two conditions:

- 1) This device may not cause harmful interference, and
- 2) This device must accept any interference received, including interference that may cause undesired operation.

### **Compliance Statement (Part 15.19)**

This device complies with Part 15 of the FCC Rules.

Operation is subject to the following two conditions:

1. This device may not cause harmful interference, and
2. This device must accept any interference received, including interference that may cause undesired operation.

### **Warning (Part 15.21)**

Changes or modifications not expressly approved by the party responsible for compliance could void the user's authority to operate the equipment.

### **FCC Interference Statement (Part 15.105 (b))**

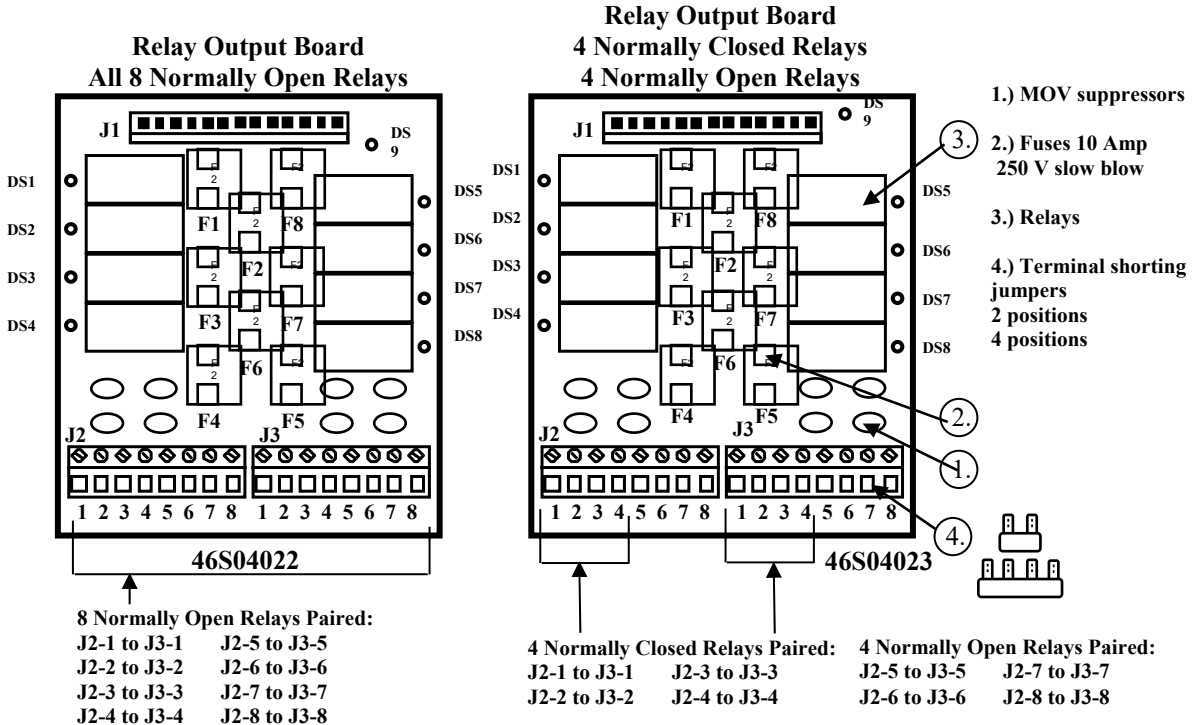
This equipment has been tested and found to comply with the limits for a Class B digital device, pursuant to Part 15 of the FCC Rules. These limits are designed to provide reasonable protection against harmful interference in a residential installation. This equipment generates, uses, and can radiate radio frequency and, if not installed and used in accordance with the instructions, may cause harmful interference to radio communications. However, there is no guarantee that interference will not occur in a particular installation. If this equipment does cause harmful interference to radio or television reception, which can be determined by turning the equipment off and on, the user is encouraged to try to correct the interference by one of the following measures:

- Reorient or relocate the receiving antenna,
- Increase the separation between the equipment and receiver,
- Connect to the equipment into an outlet on a circuit different from that to which the receiver is connected,
- Consult the dealer or an experienced radio/TV technician for help.

# Section 10 - Service Information

## 10. 18K Relay Output Board Setup Information.

The 18K Relay Output Boards are shown in Figure 10-1. Refer to paragraphs 10-1 through 10-5 for servicing procedures.



**Figure 10-1. 18K Relay Output Boards.  
46S04022 and 46S04023**

### 10-1. Operation.

There are two different relay boards available. One board (46S04022) has 8 normally opened relays, while the other board (46S04023) has 4 normally closed relays and 4 normally opened. Both relay output boards are designed to interface directly into contactors. Suppressors are highly recommended on the contactors for longer relay life.

The output relays are rated for 240VAC/24VDC maximum at a board ambient temperature of 60° C, and is fused with 10 Amp 250 V slow blow for 5 amps continuous service. The relays are programmed for specific functions. See your custom wiring diagrams for specific relay functions.

### 10-2. Indicators.

The LED indicators on the board indicate the following:

- DS1 – Red - Switched power to relay K1.
- DS2 – Red - Switched power to relay K2.
- DS3 – Red - Switched power to relay K3.
- DS4 – Red - Switched power to relay K4.
- DS5 – Red - Switched power to relay K5.
- DS6 – Red - Switched power to relay K6.
- DS7 – Red - Switched power to relay K7.
- DS8 – Red - Switched power to relay K8.

(Ground is switched to the relay coil to turn it ON which also turns ON the LED).

## **Section 10 – Service Information (Continued)**

DS9 – Yellow - 12 VDC power to Relay Board for the relays.

### **10-3. Wiring.**

Disable the Master Relay and remove all power before servicing. See Section 4-4 for detailed wiring specifics.

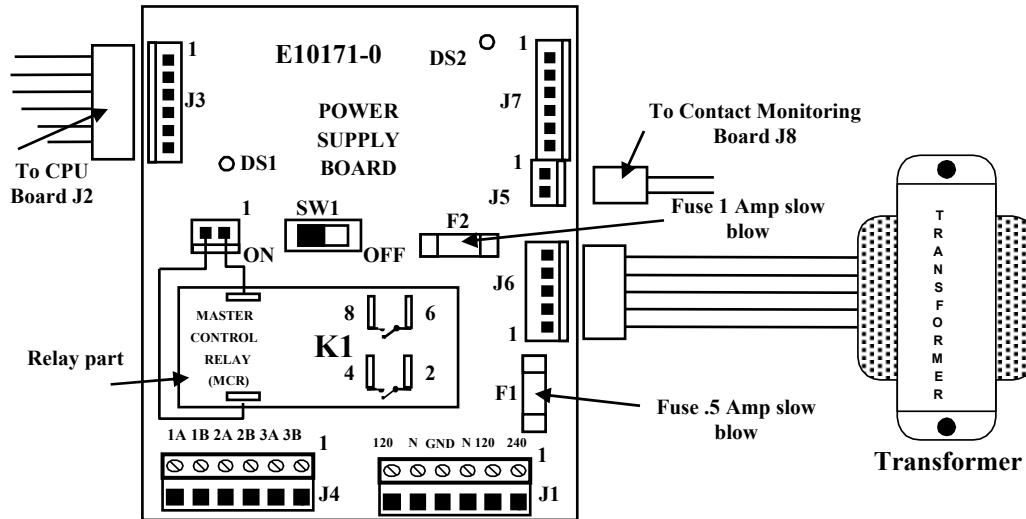
### **10-4. Check Out.**

Verify all your relay connections and voltages before engaging the Master Relay.

# Section 11 - 18K Power Supply Board

## 11-1. 18K Power Supply Board Setup Information.

The 18K Power Supply Board, if used, is shown in Figure 11-1. Refer to paragraphs 11-1 through 11-4 for servicing procedures.



**Figure 11-1. 18K Power Supply.  
E10171-0**

## 11-2. Operation.

The standard power supply can be operated from a 110VAC or a 240VAC 50 or 60 Hz power source. The voltage of operation is determined by the wiring of connector J1. Please refer to the connector labeling for proper connection points. Switch S1 turns OFF the 12 VDC output. For power supplies with a non-standard power source, or for static stepless systems, see Section 11-5.

## 11-3. Indicators.

The LEDs on the board indicate the following:

LED	COLOR	FUNCTION
DS1	Green	Monitors unregulated 12 VDC. Normally ON. Check fuse, wiring to unit, and AC power to unit.
DS2	Green	Monitors regulated 12 VDC. Normally ON. If DS2 is OFF and DS1 is ON, check for shorts on regulated output or blown regulator. Disconnect power supply connector to CPU Board; if DS2 light comes back on there is a short on one of the other boards.

The supply is a switcher type, which gives maximum noise immunity. The output of the supply is 12 VDC. The supply can source approximately 2 Amps DC.

## **Section 11 - 18K Power Supply Board (Continued)**

### **11-4. Servicing.**

Disconnect power to the power supply before servicing.

### **11-5. Alternative Power Supplies.**

A different power supply may be used if the mains supply is not 110 or 220 VAC. The following are the part numbers of power supply modules used for different mains voltages:

10-40 Volts AC or DC **A5665-0**

40-90 Volts AC or DC **A5671-0**

90-300 Volts AC or DC **A5672-0**

If the system uses static stepless boards, a negative 12VDC output from the supply is required as well as a plus 12VDC. Depending on the mains, the following power supplies are used in static stepless systems:

10-40 Volts AC or DC **A5664-0**

40-90 Volts AC or DC **A5670-0**

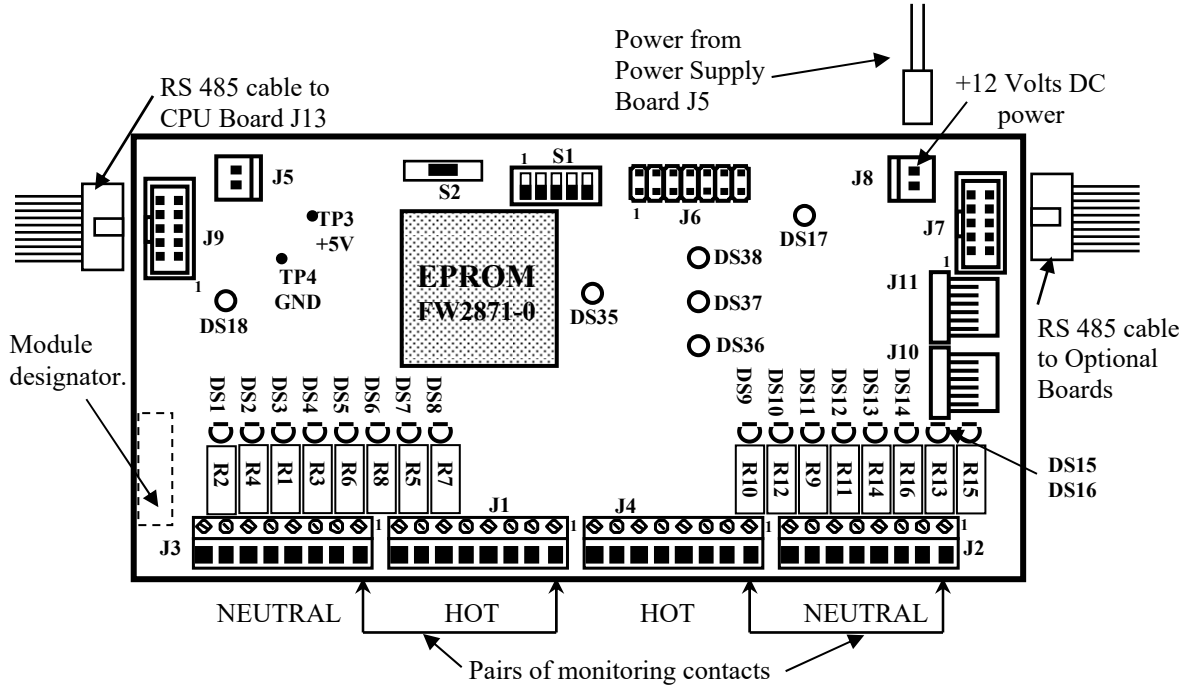
90-300 Volts AC or DC **A8505-0**



# Section 12 – 18K Contact Monitoring Board

## 12-1. 18K Contact Monitoring Board Setup Information.

The 18K Contact Monitoring Board is shown in Figure 12-1. Refer to paragraphs 12-1 through 12-5 for servicing procedures.



**Figure 12-1. 18K Contact Monitoring Board.  
E10191-0 Through 5**

## 12-2. Operation.

The Contact Monitoring Board features true Load Monitoring. A voltage (110 VAC) across a pair of inputs to the Contact Monitoring Board indicates the successful closure of a relay. The inputs are paired J1-1 to J3-1, J1-2 to J3-2, J1-3 to J3-3, etc.; and J4-1 to J2-1, J4-2 to J2-2, J4-3 to J2-3, etc... Typically, the neutrals can be jumpered together. Consult the specific wiring diagram for your system. The standard contact monitoring circuitry (E10191-0) is designed for being across loads of 110 VAC. The series resistors (R1 through R16) to the opto-isolators can be changed for other voltages; please contact your Telemotive representative for part numbers if necessary. Typically, only the directionals are monitored in crane applications.

To **disable** contact monitoring, turn switch S2-4 to the "ON" position on the CPU board (see Section 7-3) and remove the J9 connector on the contact monitor board.

## **Section 12 – 18K Contact Monitoring Board (Continued)**

### **12-3. 18K Contact Monitoring Modules.**

Near the edge of the circuit board by connector J3 is the module designator. The designator should be a number from 0-5. This number indicates for what voltage the board is designed to monitor. The six E10191 series modules are:

**E10191-0:** 110VAC.

**E10191-1:** 24VAC/DC.

**E10191-2:** 12VAC/DC.

**E10191-3:** 36VAC/DC.

**E10191-4:** 48VAC/DC.

**E10191-5:** 64VAC/DC.

### **12-4. Alarms.**

If a voltage is detected across the output of a relay and the relay is not energized an alarm will be generated. A contact monitoring alarm (fault) will cause the MCR relay to open up until the fault is corrected. If a fault is present, the appropriate contact monitoring LED (DS1 through DS16) will be lit during the fault (indicating a voltage present) and the matching LED on the driver board for the output relay will not be lit (indicating the relay should be open). Once the MCR relay opens, power is removed from the Contact Monitoring Board and the fault will not exist.

An alarm condition will activate an E-STOP command and light the red LED DS13 on the CPU Board. See Section 7 18K CPU Board for the location of DS13.

If a contact monitoring LED (DS1 through DS16) is lit (indicating a voltage present) and the matching LED on the driver board for the output relay is lit (indicating the relay should be closed), this is a normal condition.

### **12-5. Programming.**

Each Contact Monitoring Board can support up to 16 different loads. For more than 16 loads, the Contact Monitoring Boards can be cascaded on the RS 485 port. Switches S1 and S2 are used to set unique addresses for multiple boards. For single board applications, the switches in S1 should all be set to the OFF position.

### **12-6. Indicators.**

The LED indicators on the board indicate the following (See Table 12-1. Contact Monitoring Board Diagnostic LED Functions):

## Section 12 – 18K Contact Monitoring Board (Continued)

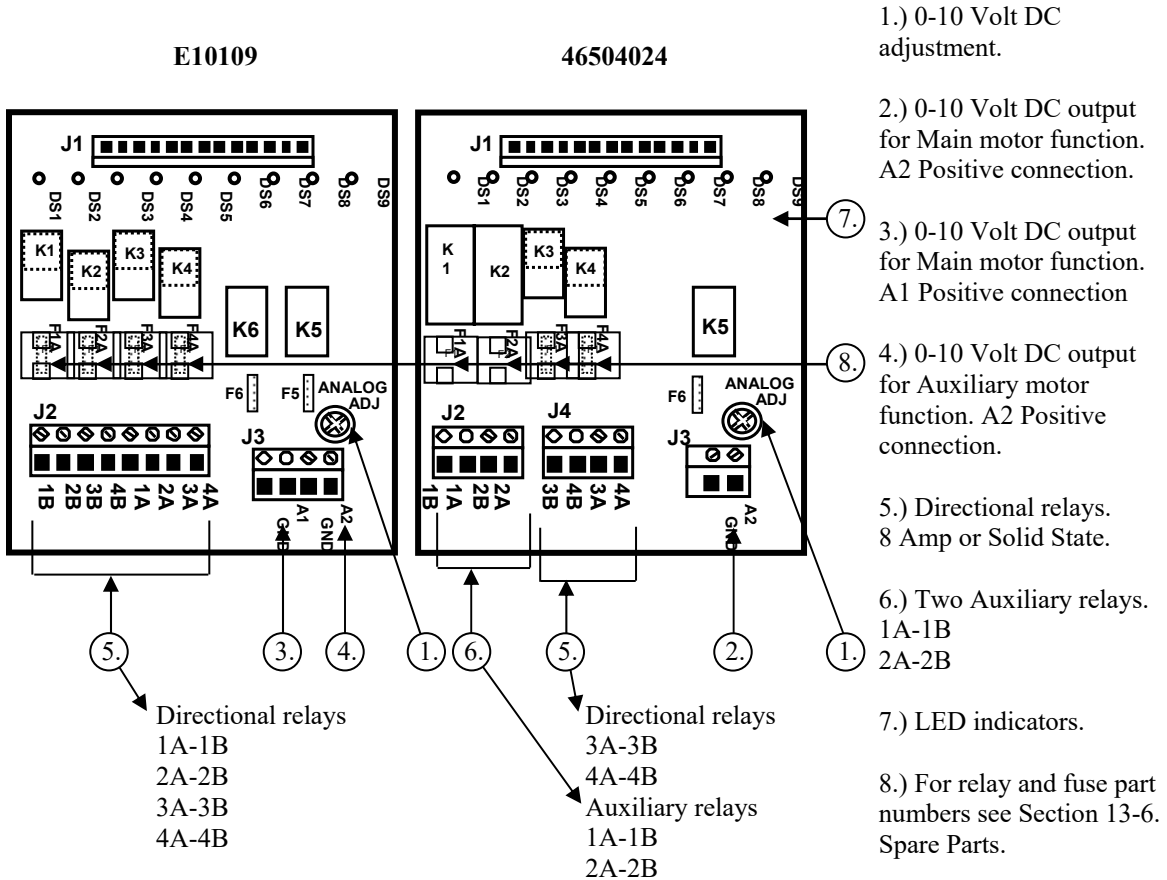
**Table 12-1. Contact Monitoring Board Diagnostic LED Functions**

LED	COLOR	FUNCTION
DS1 through DS16	Red	<p>Monitors the load on the switched output of certain relays.</p> <p>Normally OFF.</p> <p>If a voltage is present then the LED is illuminated. A LED illuminated ON and the appropriate output driver LED OFF represents a power, relay, or wiring failure and requires immediate repair. The specific LED illuminated refers to a corresponding specific contact and load. Consult your system's wiring diagram for specific connections.</p>
DS17	Green	<p>Monitors + 12 VDC power from Power Supply Board.</p> <p>Normally ON.</p> <p>If 12 VDC power is present then the LED is illuminated. The LED is OFF if 12 VDC power is not present. Check connectors, the Power Supply Board, or for broken cables.</p>
DS18	Green	<p>Monitors + 5 VDC regulated voltage.</p> <p>Normally ON.</p> <p>If 5 VDC power is present then the LED is illuminated. The LED is OFF if 5 VDC power is not present. Check connectors, the +5 VDC regulator, or for shorts on the board.</p>
DS35	Yellow	<p>Monitors system activity.</p> <p>Normally FLASHING.</p> <p>If not flashing, the microprocessor (EPROM) is inoperable.</p>
DS36	Red	<p>Monitors the watchdog timer.</p> <p>Normally OFF.</p> <p>The LED will illuminate momentarily when power is applied to or removed from the system. If the LED is continuously flashing or ON, the microprocessor is not working properly. If the LED is illuminated constantly (no flashing), the +5 VDC is probably too low. This could be caused by shorts on the board or by a defective voltage regulator. If the LED flashes at a constant rate, the microprocessor (EPROM) on the Contact Monitoring Board may be inoperable.</p>
DS37 and DS38	Yellow	<p>Monitors the connection through the RS485 port "J9" to the CPU Board.</p> <p>Normally ON and dim or rapidly flashing.</p> <p>When the LED is OFF, the CPU Board is not connected to the Contact Monitoring Board.</p>

# Section 13 - 18K Stepless Output Boards

## 13-1. 18K Stepless Output Board Setup Information.

The 18K Stepless Output Boards are shown in Figure 13-1. Refer to paragraphs 13-1 through 13-7 for servicing procedures.



**Figure 13-1. 18K Stepless Output Boards.  
E10109-X and 46S04024**

## 13-2. Operation.

The Stepless Output Board was designed to interface directly into VFDs. The output consists of a continuously variable DC voltage from 0 to 10 volts, plus two directional relays per motor. For crane motor functions such as Main and Aux Trolley or Main and Aux Hoist, a second variable DC voltage from 0 to 10 volts plus 2 two additional directional relay outputs are available on the two motor board.

### NOTE

The 0-10 VDC outputs on any one stepless board are not independent. They are to be used in tandem with the Main and Auxiliary selector switch on the transmitter.

The auxiliary relays are rated for 240VAC/24VDC maximum at a board ambient temperature of 60° C, and are fused for 5 amps continuous service.

## Section 13 – 18K Stepless Output Boards (Continued)

### 13-3. Indicators.

The LED indicators on the board indicate the following:

DS1 – Red - Power to relay K1A.

DS2 – Red - Power to relay K2A.

DS3 – Red - Power to relay K3A.

DS4 – Red - Power to relay K4A.

(Ground is switched to the relay coils K1A-K4A to turn them ON, which also turns ON the respective LED).

DS5 to DS8 – Red - These LEDs light in an increasing binary pattern to indicate increasing voltage output.

DS9 –Yellow - Power to Stepless Board.

### 13-4. Wiring.

Disable the Master Relay before servicing. See Section 4-4 for detailed wiring specifics.



## CAUTION

ALL CONTROL WIRES SHOULD BE RUN THROUGH SEPARATE CONDUITS. ALL ANALOG SIGNAL CONTROL WIRES SUCH AS THE ANALOG SIGNALS OUT OF THIS BOARD SHOULD BE RUN THROUGH SEPARATE CONDUITS AND MUST BE SHIELDED TWISTED PAIR. TRY TO KEEP CONTROL WIRING AS SHORT AS POSSIBLE. PLEASE OBSERVE NATIONAL ELECTRIC CODE (NEC) WHEN WIRING DEVICES. FAILURE TO FOLLOW THIS CAUTION COULD RESULT IN DAMAGE TO, OR DESTRUCTION OF EQUIPMENT, OR LOSS OF FUNCTIONAL EFFECTIVENESS.

To interface a unit to a VFD, select the appropriate motor you wish to control. Connect the appropriate output A1 or A2 to the appropriate VFD analog input, noting polarity (consult your VFD manual for specific analog input locations). For each motor connect the appropriate directional inputs to your VFD (consult your VFD manual for directional input locations).



## CAUTION

THE MECHANICAL DIRECTIONAL RELAYS ARE ONLY RATED FOR 8 AMPS DC. THE SOLID-STATE DIRECTIONALS RELAYS, IF SUPPLIED, CANNOT SWITCH A CONTACTOR. USE CAUTION ON HOOKING OTHER DEVICES SUCH AS ALARMS DIRECTLY ON THE DIRECTIONAL RELAYS. FAILURE TO FOLLOW THIS CAUTION COULD RESULT IN DAMAGE TO, OR DESTRUCTION OF EQUIPMENT, OR LOSS OF FUNCTIONAL EFFECTIVENESS.

### 13-5. Adjustment.

Adjust the analog output 0-10VDC adjustment (as shown in 12-1.) to 10 volts DC maximum with the transmitter switch fully depressed.

## **Section 13 – 18K Stepless Output Boards (Continued)**

### **13-6. Fuse Part Numbers:**

E10109                      F1A-F4A – F2711-0, F2704-0

46S04024-XXXX          F1A-F4A – F2711-0

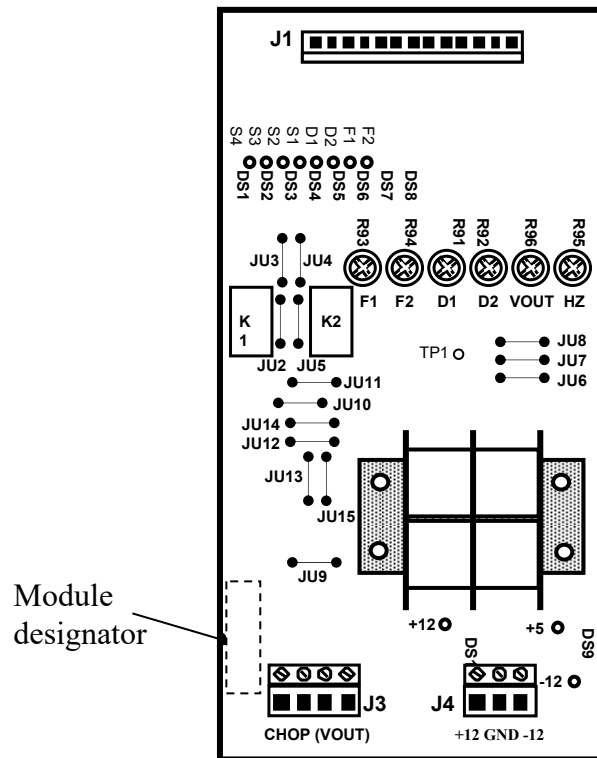
### **13-7. Check Out.**

Complete the above for each crane motor function. Verify all your connections and voltages before engaging the Master Relay.

# Section 14 – 18K Static Stepless Output Boards

## 14-1. 18K Static Stepless Output Board Setup Information.

The 18K Stepless Output Boards are shown in Figure 14-1. Refer to paragraphs 14-1 through 14-7 for servicing procedures.



**Figure 14-1. 18K Static Stepless Output Boards.  
E10110-0 through 10**

## 14-2. 18K Static Stepless Operation.

This unit is designed for stepless motors that require a unique output range voltage for operation other than typically found with VFDs. The Static Stepless Output Board converts the binary digital signal from the transmitter to a variable output voltage. The directional inputs to board invert the voltage. Jumpers change the voltages and the inversion. Output levels such as offset, float, and maximum can be adjusted.

## **Section 14 – 18K Static Stepless Output Boards (Continued)**

### **14-3. 18K Static Stepless Modules.**

Near the edge of the circuit board by connector J3 is the module designator. The designator should be a number from 0-10. This number indicates for what output the board is jumpered. The eleven E10110 series modules are:

- E10110-0:** 10 VDC; non-inverting DC output.
- E10110-1:** 10 VDC; inverting DC output.
- E10110-2:** 20 VDC; non-inverting DC output.
- E10110-3:** 20 VDC; inverting DC output.
- E10110-4:** 40 VDC; non-inverting DC output.
- E10110-5:** 40 VDC; inverting DC output.
- E10110-6:** 10 VAC; AC output.
- E10110-7:** 20 VAC; AC output.
- E10110-8:** 40 VAC; AC output.
- E10110-9:** 10 VDC; non-inverting, Locomotive.
- E10110-10:** 10 VDC; non-inverting, Brake.



## Section 14 – 18K Static Stepless Output Boards (Continued)

### 14-4. Module Jumper Programming.

The jumper programming for each module is as follows: **X** means **add** jumper.

Module	JU2	JU3	JU4	JU5	JU6	JU7	JU8	JU9	JU10	JU11	JU12	JU13	JU14	JU15
-0	X		X			X		X		X	X	X		
-1		X		X		X		X		X	X	X		
-2	X		X			X			X		X	X		
-3		X		X		X			X		X	X		
-4	X		X		X		X		X		X	X		
-5		X			X		X		X		X	X		
-6		X		X		X		X		X			X	X
-7		X		X		X			X				X	X
-8		X		X	X		X	X		X			X	X
-9	X		X			X		X		X	X	X		
-10	X	X				X		X		X	X	X		

### 14-5. Wiring.

Disable the Master Relay before servicing. See Section 4-4 for detailed wiring specifics.



## CAUTION

ALL CONTROL WIRES SHOULD BE RUN THROUGH SEPARATE CONDUIT. ALL ANALOG SIGNAL CONTROL WIRES SUCH AS THE ANALOG SIGNALS OUT OF THIS BOARD SHOULD BE RUN THROUGH SEPARATE CONDUIT AND MUST BE SHIELDED TWISTED PAIR. TRY TO KEEP CONTROL WIRING AS SHORT AS POSSIBLE. PLEASE OBSERVE NATIONAL ELECTRIC CODE (NEC) WHEN WIRING DEVICES. FAILURE TO FOLLOW THIS CAUTION COULD RESULT IN DAMAGE TO, OR DESTRUCTION OF EQUIPMENT, OR LOSS OF FUNCTIONAL EFFECTIVENESS.

## **Section 14 – 18K Static Stepless Output Boards (Continued)**

### **14-6. Adjustments.**

There six output voltage adjustments on the unit. They are as follows:

Hz – Maximum possible output voltage. Maximum output with function lever at maximum. Upper limit to motor input.

VOUT – High reference voltage. The voltage for the speed desired at full lever travel equal to above or less.

F1 and F2 – Float Direction 1 and 2 respectively. Used for the float function for those units designed with this feature only. Usually with Teltec or Laser Guard on the bridge output. If the control lever is held at maximum and an input to the system is received from a Teltec or Laser Guard, the system will then decrease the output to points that are set by F1 and F2.

D1 and D2 – Offset Direction 1 and 2 respectively. Some systems require an offset that is done with D2 and D1.

### **14-7. Level Setting.**

To adjust outputs:

- 1.) Remove connectors for directional output module (J3).
- 2.) Start system.
- 3.) Measuring output on stepless module move lever switch to maximum and adjust R95 for maximum output.
- 4.) Lever still at maximum adjust VOUT for desired high level output.
- 5.) Move lever to directionals only and adjust D1 and D2 for 0 Volts output. If an offset voltage is required set to that voltage.

NOTE: Some cranes require 4 Volts for the hoist up function with just the directional activated.

- 6.) F1 and F2 if your system utilizes float, adjust F3 output when float 1 is inputted to the output module (this is done with speed at maximum). Adjust F4 when float 2 is inputted.

### **14-8. Indicators.**

The indicators S1, S2, S4 and S8 count up in a binary sequence as the transmitter lever is moved up. D1, D2, F1 and F2 indicate the activation of directionals (D) and floats (F) 1 and 2 respectively.

### **14-9. Special Power Supply.**

For some static stepless boards a negative 12VDC output from the power supply is required as well as a plus 12 VDC. Depending on the mains, the following power supplies are used in lieu of the standard supply in static stepless systems:

- 10-40 Volts AC or DC   **A5664**
- 40-90 Volts AC or DC   **A5670**
- 90-300 Volts AC or DC   **A8505**