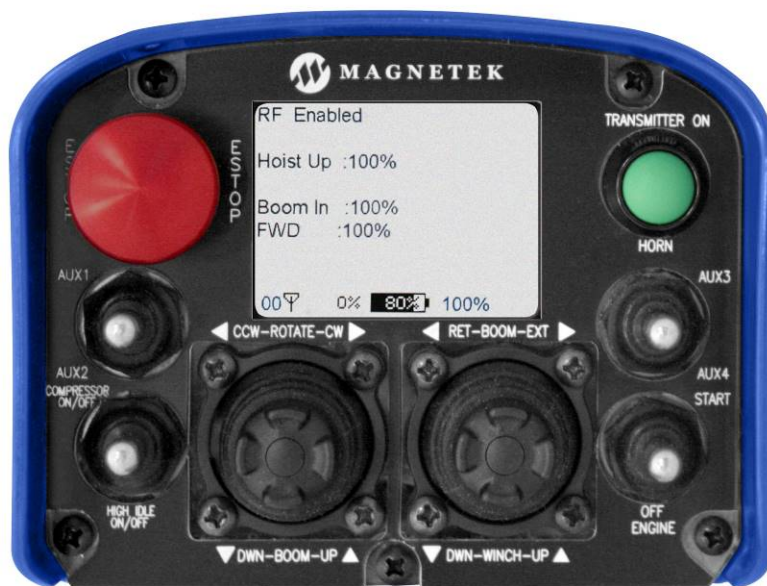


Mini-MBT Transmitter

Engineered

Radio Remote Control



MAGNETEK

Part Number: 198-80203-0002 R2
June 2016
© 2016 Magnetek Material Handling

Your New Radio Receiver

Thank you for your purchase of Magnetek's Mini-MBT Transmitter Radio Remote Equipment Control. Magnetek has set a whole new standard in radio-remote performance, dependability, and value with this line of modular receivers.

If your product ever needs modification or service, please contact one of our representatives at the following locations:

U.S. Service Information

For questions regarding service or technical information contact:

1.866.MAG.SERV

1.866.624.7378

International Service:

+1.262.783.3500

Magnetek, Inc.
N49 W13650 Campbell Drive
Menomonee Falls, WI 53051

Telephone: +1.800.288.8178

Website: www.magnetek.com

E-mail: mhcustomerservice@magnetek.com

Fax Numbers:

Main: +1.800.298.3503

Sales: +1.262.783.3510

Service: +1.262.783.3508

Canada Service Information:

161 Orenda Road
Unit 1
Brampton, Ontario
L6W 1W3 Canada
Phone: +1.800.792.7253
Fax: +1.905.828.5707
+1.416.424.7617 (24/7 Service pager)

EU Market Contact:

Brian Preston
Magnetek (UK) Ltd.
Unit 3 Bedford Business Centre, Mile Road
Bedford, MK42 9TW UK
Phone: +44.1234.349191
Fax: +44.1234.268955

©2016 MAGNETEK

All rights reserved. This notice applies to all copyrighted materials included with this product, including, but not limited to, this manual and software embodied within the product. This manual is intended for the sole use of the person(s) to whom it was provided, and any unauthorized distribution of the manual or dispersal of its contents is strictly forbidden. This manual may not be reproduced in whole or in part by any means whatsoever without the expressed written permission of MAGNETEK.

TABLE OF CONTENTS

1.	PRODUCT MANUAL SAFETY INFORMATION	5
1.1	PRODUCT WARRANTY INFORMATION	5
2.	CRITICAL INSTALLATION CONSIDERATIONS.....	7
2.1	GENERAL	7
2.2	PERSONS AUTHORIZED TO OPERATE RADIO CONTROLLED EQUIPMENT	7
2.3	SAFETY INFORMATION AND RECOMMENDED TRAINING FOR RADIO CONTROLLED EQUIPMENT OPERATORS	7
2.4	TRANSMITTER UNIT	9
2.5	PRE-OPERATION TEST	9
2.6	HANDLING BATTERIES.....	9
2.7	OPTIONAL RECHARGEABLE BATTERY CHARGING	9
2.8	BATTERY DISPOSAL.....	10
2.9	CRANE/LIFTING DEVICE SPECIFIC WARNINGS.....	10
3.	MINI-MBT STANDARD CONFIGURATION AND OPERATION.....	12
3.1	INSTALLING THE BATTERY PACK	13
3.1.1	Alkaline Battery Pack (BT151-0)	13
3.1.2	Optional NiMH Rechargeable Battery Pack (BT150-0).....	14
3.2	TURNING THE TRANSMITTER ON AND OFF.....	15
3.2.1	Machine Stop and START Push Button.....	15
3.2.2	Machine Stop and ON-OFF-START Toggle	15
3.2.3	Machine Stop, ON-OFF Toggle, START Push Button.....	15
3.2.4	Transmitter Initialization (with Standard Status LED Indicator)	16
3.2.5	Transmitter Initialization (with Optional Graphic User Interface Screen).....	16
3.2.6	Turning Off the Transmitter	16
3.3	MACHINE STOP SWITCH (For Emergency Stopping Only).....	16
3.4	STATUS AND BATTERY LEDS	16
3.5	OPTIONAL GRAPHIC USER INTERFACE	17
3.6	NORMAL OPERATING MODE WITH STANDARD LEDS	17
3.6.1	Watch Dog Indicator (Steady Blinking Status LED)	17
3.6.2	Switch Change Indicator (Rapidly Blinking Status LED).....	17
3.6.3	Low Battery Level Indicator (Blinking Red Battery LED).....	17
3.7	NORMAL OPERATING MODE WITH OPTIONAL GRAPHIC USER INTERFACE	17
3.7.1	Watch Dog Indicator (Sweeping Dot).....	17
3.7.2	Command Confirmation	18
3.7.3	Battery Life Indicator	18
3.7.4	Signal Strength Indicator.....	18
3.7.5	Two-Way Feedback System	18
3.8	JOYSTICKS AND PADDLES/LEVERS	18
3.9	ROTARY SELECTOR SWITCH.....	18
3.10	AUXILIARY SWITCHES	18
4.	TRANSMITTER SETUP.....	19
4.1	TRANSMITTER SETUP SETTINGS WITH STANDARD STATUS LED	19
4.1.1	IR Configuration Receiver	19
4.1.2	RCP IR Configuration.....	20
4.2	USING THE TRANSMITTER IN SETUP MODE (WITH OPTIONAL GRAPHIC USER INTERFACE).....	20
4.2.1	Entering Setup Mode	20

4.2.2	Adjusting Settings in Setup Mode	21
5.	OPTIONAL PROGRAMMING WITH RCP	25
5.1	ACCESS CODES.....	25
5.2	CHANGING RECIEVER ACCESS CODES.....	26
5.3	CONNECTING THE MINI-MBT TO A COMPUTER	26
5.4	CONFIGURATION WITH RCP	27
5.4.1	Mini-MBT Configuration Page.....	29
5.4.2	Saving, Downloading, and Reading the Programs and Other RCP Software Functions ...	33
6.	TRANSMITTER CHANNEL CONFIGURATION SETTINGS	35
6.1	FCC STATEMENTS.....	35
6.2	433MHz CHANNEL SET.....	36
6.3	433 MHz TELEMOTIVE LEGACY CHANNEL SET: TMS AND TDMA	37
6.4	419MHz CHANNEL SET.....	38
6.5	900 MHz CHANNEL SET.....	39
6.6	2.4 GHz: FHSS.....	39
7.	OPTIONAL CAN BUS TETHER FEATURE.....	40
7.1	INSTALLATION OF TETHER CABLE	40
7.2	OPERATION OF TRANSMITTER IN TETHER MODE	40
7.3	RETURNING TRANSMITTER TO WIRELESS MODE.....	40
7.4	CAN CONNECTOR RECEPTACLE PIN-OUT DETAILS	41
8.	GENERAL TROUBLESHOOTING	42
8.1	TROUBLESHOOTING OPTIONAL TETHER OPERATION.....	43
8.2	ASSEMBLY AND REPLACEMENT PARTS	43
9.	NOTES	44
10.	EU DECLARATION OF CONFORMITY	45

1. PRODUCT MANUAL SAFETY INFORMATION

Magnetek, Inc. (Magnetek) offers a broad range of radio remote control products, control products and adjustable frequency drives, and industrial braking systems for overhead material handling applications. This manual has been prepared by Magnetek to provide information and recommendations for the installation, use, operation and service of Magnetek's material handling products and systems (Magnetek Products). Anyone who uses, operates, maintains, services, installs or owns Magnetek Products should know, understand and follow our instructions and safety recommendations in this manual for Magnetek Products.

The recommendations in this manual do not take precedence over any of the following requirements relating to cranes, hoists and lifting devices:

- Instructions, manuals, and safety warnings of the manufacturers of the equipment where the radio system is used,
- Plant safety rules and procedures of the employers and the owners of facilities where the Magnetek Products are being used,
- Regulations issued by the Occupational Health and Safety Administration (OSHA),
- Applicable local, state or federal codes, ordinances, standards and requirements, or
- Safety standards and practices for the overhead material handling industry.

This manual does not include or address the specific instructions and safety warnings of these manufacturers or any of the other requirements listed above. It is the responsibility of the owners, users and operators of the Magnetek Products to know, understand and follow all of these requirements. It is the responsibility of the owner of the Magnetek Products to make its employees aware of all of the above listed requirements and to make certain that all operators are properly trained. **No one should use Magnetek Products prior to becoming familiar with and being trained in these requirements.**

1.1 PRODUCT WARRANTY INFORMATION

Magnetek, hereafter referred to as Company, assumes no responsibility for improper programming of a device (such as a drive or radio) by untrained personnel. A device should only be programmed by a trained technician who has read and understands the contents of the relevant manual(s). Improper programming of a device can lead to unexpected, undesirable, or unsafe operation or performance of the device. This may result in damage to equipment or personal injury. Company shall not be liable for economic loss, property damage, or other consequential damages or physical injury sustained by the purchaser or by any third party as a result of such programming. Company neither assumes nor authorizes any other person to assume for Company any other liability in connection with the sale or use of this product.

For information on Magnetek's product warranties by product type, please visit www.magnetek.com.

WARNINGS and CAUTIONS

Throughout this document WARNING and CAUTION statements have been deliberately placed to highlight items critical to the protection of personnel and equipment.

WARNING – A warning highlights an essential operating or maintenance procedure, practice, etc. which if not strictly observed, could result in injury or death of personnel, or long term physical hazards. Warnings are highlighted as shown below:



CAUTION – A caution highlights an essential operating or maintenance procedure, practice, etc. which if not strictly observed, could result in damage to, or destruction of equipment, or loss of functional effectiveness. Cautions are highlighted as shown below:



WARNINGS and CAUTIONS SHOULD NEVER BE DISREGARDED

The safety rules in this section are not intended to replace any rules or regulations of any applicable local, state, or federal governing organizations. Always follow your local lockout and tagout procedure when maintaining any radio equipment. The following information is intended to be used in conjunction with other rules or regulations already in existence. It is important to read all of the safety information contained in this section before installing or operating the Radio Control System.

2. CRITICAL INSTALLATION CONSIDERATIONS



WARNING

PRIOR TO INSTALLATION AND OPERATION OF THIS EQUIPMENT, READ AND DEVELOP AN UNDERSTANDING OF THE CONTENTS OF THIS MANUAL AND THE OPERATION MANUAL OF THE EQUIPMENT OR DEVICE TO WHICH THIS EQUIPMENT WILL BE INTERFACED. FAILURE TO FOLLOW THIS WARNING COULD RESULT IN SERIOUS INJURY OR DEATH AND DAMAGE TO EQUIPMENT.

FOLLOW YOUR LOCAL LOCKOUT TAGOUT PROCEDURE BEFORE MAINTAINING ANY REMOTE CONTROLLED EQUIPMENT. ALWAYS REMOVE ALL ELECTRICAL POWER FROM THE EQUIPMENT BEFORE ATTEMPTING ANY INSTALLATION PROCEDURES. DE-ENERGIZE AND TAGOUT ALL SOURCES OF ELECTRICAL POWER BEFORE TOUCH-TESTING ANY EQUIPMENT. FAILURE TO FOLLOW THIS WARNING COULD RESULT IN SERIOUS INJURY OR DEATH AND DAMAGE TO EQUIPMENT.

AFTER INSTALLATION BE SURE TO VERIFY THAT THE TRANSMITTER IS NOT INTERFERING WITH OTHER EQUIPMENT IN THE AREA. ALSO VERIFY THAT OTHER EQUIPMENT IS NOT INTERFERING WITH THE TRANSMITTER AND ITS ASSOCIATED EQUIPMENT. FAILURE TO FOLLOW THESE WARNINGS COULD RESULT IN SERIOUS INJURY OR DEATH AND DAMAGE TO EQUIPMENT.

2.1 GENERAL

Radio controlled equipment operates in several directions. Quite frequently, the equipment is operated in areas where people are working in close proximity to the equipment. **The operator must exercise extreme caution at all times.** Workers must constantly be alert to avoid accidents. The following recommendations have been included to indicate how careful and thoughtful actions may prevent injuries, damage to equipment, or even save a life.

2.2 PERSONS AUTHORIZED TO OPERATE RADIO CONTROLLED EQUIPMENT

Only properly trained persons designated by management should be permitted to operate radio controlled equipment.

Radio controlled equipment should not be operated by any person who cannot read or understand signs, notices and operating instructions that pertain to the equipment.

Radio controlled equipment should not be operated by any person with insufficient eyesight or hearing or by any person who may be suffering from a disorder or illness, is taking any medication that may cause loss of equipment control, or is under the influence of alcohol or drugs..

2.3 SAFETY INFORMATION AND RECOMMENDED TRAINING FOR RADIO CONTROLLED EQUIPMENT OPERATORS

Anyone being trained to operate radio controlled equipment should possess as a minimum the following knowledge and skills before using the radio controlled equipment.

The operator should:

- have knowledge of hazards pertaining to equipment operation
- have knowledge of safety rules for radio controlled equipment

- have the ability to judge distance of moving objects
- know how to properly test prior to operation
- be trained in the safe operation of the radio transmitter as it pertains to the equipment being operated
- have knowledge of the use of equipment warning lights and alarms
- have knowledge of the proper storage space for a radio control transmitter when not in use
- be trained in transferring a radio control transmitter to another person
- be trained how and when to report unsafe or unusual operating conditions
- test the transmitter emergency stop and all warning devices prior to operation; testing should be done on each shift, without a load
- be thoroughly trained and knowledgeable in proper and safe operation of the equipment that utilizes the radio control
- know how to keep the operator and other people clear of hazardous areas
- know and follow the local lockout and tagout procedures when servicing radio controlled equipment
- know and follow all applicable operating and maintenance manuals, safety procedures, regulatory requirements, and industry standards and codes

The operator shall not:

- operate the equipment if the direction of travel or function engaged does not agree with what is indicated on the controller
- operate any damaged or malfunctioning equipment
- change any settings or controls without authorization and proper training
- remove or obscure any warning or safety labels or tags
- leave power on the radio controlled equipment when the equipment is not in operation
- operate any equipment using a damaged controller because the unit may be unsafe
- operate manual motions with other than manual power
- operate radio controlled equipment when low battery indicator is on



WARNING

THE OPERATOR SHOULD NOT ATTEMPT TO REPAIR ANY RADIO CONTROLLER. IF ANY PRODUCT PERFORMANCE OR SAFETY CONCERNS ARE OBSERVED, THE EQUIPMENT SHOULD IMMEDIATELY BE TAKEN OUT OF SERVICE AND BE REPORTED TO THE SUPERVISOR. DAMAGED AND INOPERABLE RADIO CONTROLLER EQUIPMENT SHOULD BE RETURNED TO MAGNETEK FOR EVALUATION AND REPAIR. FAILURE TO FOLLOW THIS WARNING COULD RESULT IN SERIOUS INJURY OR DEATH AND DAMAGE TO EQUIPMENT.

2.4 TRANSMITTER UNIT

Transmitter switches should never be mechanically blocked ON or OFF. When not in use, the operator should turn the transmitter OFF. A secure storage space should be provided for the transmitter unit, and the transmitter unit should always be placed there when not in use. This precaution will help prevent unauthorized people from operating the material handling equipment.

Spare transmitters should be stored in a secure storage space and only removed from the storage space after the current transmitter in use has been turned OFF, taken out of the service area and secured.

2.5 PRE-OPERATION TEST

At the start of each work shift, or when a new operator takes control of the equipment, operators should do, as a minimum, the following steps before making lifts with any equipment:

Test all warning devices.

Test all functions.

Test the transmitter machine stop.

2.6 HANDLING BATTERIES



KNOW AND FOLLOW PROPER BATTERY HANDLING, CHARGING AND DISPOSAL PROCEDURES. IMPROPER BATTERY PROCEDURES CAN CAUSE BATTERIES TO EXPLODE OR DO OTHER SERIOUS DAMAGE. FAILURE TO FOLLOW THIS WARNING COULD RESULT IN SERIOUS INJURY OR DEATH AND DAMAGE TO EQUIPMENT.

Use only batteries approved by Magnetek for the specific product.

Do not dispose of a battery pack in fire; it may explode.

Do not attempt to open the battery pack.

Do not short circuit the battery.

Keep the battery pack environment cool during storage (i.e., not in direct sunlight or close to a heating source).

2.7 OPTIONAL RECHARGEABLE BATTERY CHARGING

For those transmitters equipped with rechargeable batteries and battery chargers, all users shall be familiar with the instructions of the charger before attempting to use.

Do not attempt to charge non-rechargeable battery packs in the charger.

Avoid charging partially discharged rechargeable batteries to help prolong battery cycle life.

Do not charge batteries in a hazardous environment.

Keep the battery pack environment cool during charging (i.e., not in direct sunlight or close to a heating source).

Do not short the charger.

Do not attempt to charge a damaged battery.

Use only Magnetek approved chargers for the appropriate battery pack.

Do not attempt to use a battery that is leaking, swollen or corroded.

Charger units are not intended for outdoor use. Only use charger units indoors.

2.8 BATTERY DISPOSAL

Before disposing of batteries consult local and governmental regulatory requirements for proper disposal procedure.

2.9 CRANE/LIFTING DEVICE SPECIFIC WARNINGS



ALL EQUIPMENT MUST HAVE A MAINLINE CONTACTOR INSTALLED AND ALL TRACKED CRANES, HOISTS, LIFTING DEVICES AND SIMILAR EQUIPMENT MUST HAVE A BRAKE INSTALLED. FAILURE TO FOLLOW THIS WARNING COULD RESULT IN SERIOUS INJURY OR DEATH AND DAMAGE TO EQUIPMENT.

AN AUDIBLE AND/OR VISUAL WARNING MEANS MUST BE PROVIDED ON ALL REMOTE CONTROLLED EQUIPMENT AS REQUIRED BY CODE, REGULATION, OR INDUSTRY STANDARD. THESE AUDIBLE AND/OR VISUAL WARNING DEVICES MUST MEET ALL GOVERNMENTAL REQUIREMENTS. FAILURE TO FOLLOW THIS WARNING COULD RESULT IN SERIOUS INJURY OR DEATH AND DAMAGE TO EQUIPMENT.

THE DIRECT OUTPUTS OF THIS PRODUCT ARE NOT DESIGNED TO INTERFACE DIRECTLY TO TWO STATE SAFETY CRITICAL MAINTAINED FUNCTIONS, I.E., MAGNETS, VACUUM LIFTS, PUMPS, EMERGENCY EQUIPMENT, ETC. A MECHANICALLY LOCKING INTERMEDIATE RELAY SYSTEM WITH SEPARATE POWER CONSIDERATIONS MUST BE PROVIDED. FAILURE TO FOLLOW THIS WARNING COULD RESULT IN SERIOUS INJURY OR DEATH OR DAMAGE TO EQUIPMENT.

Cranes, hoists, lifting devices and other material handling equipment can be large, and operate at high speeds.

The operator should:

- continuously watch and monitor status of lifted loads
- know and follow cable and hook inspection procedures

The operator shall not:

- lift or move more than the rated load

- use the crane, hoist or lifting device to lift, support or transport people
- lift or carry any loads over people
- operate the crane, hoist or lifting device unless all persons, including the operator, are and remain clear of the supported load and any potential pinch points
- operate a crane, hoist or lifting device when the device is not centered over the load
- operate a crane, hoist or lifting device if the chain or wire rope is not seated properly in the sprockets, drum or sheave
- leave any load unattended while lifted

3. MINI-MBT STANDARD CONFIGURATION AND OPERATION



BEFORE OPERATING THE TRANSMITTER, FAMILIARIZE YOURSELF WITH ALL SAFETY INFORMATION IN THIS MANUAL, THE CORRESPONDING RECEIVER SYSTEM MANUAL, APPROPRIATE MANUAL SUPPLEMENTS AND ANY OTHER LOCAL, STATE, OR FEDERAL RULES OR REGULATIONS ALREADY IN EXISTENCE. FAILURE TO FOLLOW THIS WARNING COULD RESULT IN SERIOUS INJURY OR DEATH AND DAMAGE TO EQUIPMENT.

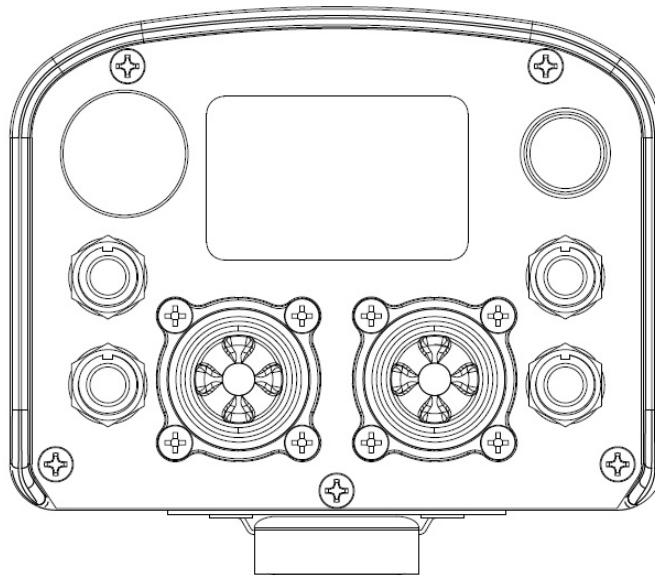


Figure 1: Typical Mini-MBT Configuration

3.1 INSTALLING THE BATTERY PACK

Prior to utilizing the Mini-MBT transmitter, the battery pack must be installed. See Sections 4.2.2.10 and 5.4.1 for information on how to set the battery pack type.

3.1.1 Alkaline Battery Pack (BT151-0)

The Mini-MBT comes standard with a battery pack (BT151-0) that holds four disposable AA alkaline batteries.



Figure 2: BT151-0 Battery Pack

To change the alkaline batteries in the battery pack, unscrew the four screws holding the battery pack in the transmitter. Then remove the battery pack from the transmitter. The batteries can then be replaced with new ones.

When reinserting the battery pack into the transmitter, be sure that the screws align with the screw holes. Then screw the battery pack back into the transmitter.



Figure 3: Installation of Battery Pack into Mini-MBT transmitter

3.1.2 Optional NiMH Rechargeable Battery Pack (BT150-0)

The rechargeable battery pack BT150-0 is a sealed pack that has no user-serviceable components within it.



Figure 4: BT150-0 Battery Pack

The rechargeable battery pack BT150-0 is shipped from the factory with a minimal charge and will need to be charged prior to use for the first time with the specified charger.

To charge the batteries, separate the compartment from the outer housing by loosening all four screws on the battery compartment and removing it from the transmitter housing. Connect the battery pack to the Magnetek approved micro-USB power adapter through the micro-USB port. If a power adapter other than one approved by Magnetek is used to charge the battery pack, then the output current must be equal to or greater than 1.2A. Using a charger which is not approved by Magnetek may cause the charging process to not complete correctly or in a timely manner; furthermore, **this may damage the batteries**. Do not attempt to charge this battery pack through a USB port on a computer. The battery pack must be charged in an ambient temperature between 0°C – 40°C.

When reinserting the battery pack, it is keyed so that it can only be inserted into the outer housing in one orientation. Once put into the transmitter housing, tighten all four screws to secure the battery pack to the transmitter housing.

The following table provides the status LED states during charging:

LED State / Color	Status
Solid Red	Battery pack is charging
Blinking Red	Charging is paused due to temperature too low/high
Solid Green	Charge complete
Alternating Red / Green Blink	Charging error

Table 1: Rechargeable battery pack status LED states

NOTE: When utilizing the optional tether mode on the Mini-MBT transmitter, the battery packs will not be recharged from the tether power feed. The rechargeable battery pack only can be recharged using the specified charger.

The rechargeable battery pack is designed to provide a minimum of 30 hours of operation when new. The operation time may slightly decrease over time. A discharged battery pack will recharge in less than six hours.

3.2 TURNING THE TRANSMITTER ON AND OFF

The Mini-MBT can have different methods of turning the unit on depending upon how the unit was ordered. Sections 3.2.1, 3.2.2 and 3.2.3 explain how to turn on the unit for each configuration. Initialization of the transmitter will be different depending upon whether or not a display is present. Sections 3.2.4 and 3.2.5 explain the initialization process with and without a display present.

3.2.1 Machine Stop and START Push Button

1. Ensure the Machine Stop is in the raised (pulled out) position.
2. After the unit has initialized (refer to Sections 3.2.4 and 3.2.5 for initialization), press the START push button to enable communication with the receiver.

3.2.2 Machine Stop and ON-OFF-START Toggle

1. Ensure the Machine Stop is in the raised (pulled out) position.
2. Move the ON-OFF-START toggle to the ON position.
3. After the unit has initialized (refer to Sections 3.2.4 and 3.2.5 for initialization), press the ON-OFF-START toggle to the START position to enable communication with the receiver.

3.2.3 Machine Stop, ON-OFF Toggle, START Push Button

1. Ensure the Machine Stop is in the raised (pulled out) position.
2. Move the ON-OFF toggle to the ON position.
3. After the unit has initialized (refer to Sections 3.2.4 and 3.2.5 for initialization), press the START push button to enable communication with the receiver.



Figure 5: Machine Stop Switch and START push button

3.2.4 Transmitter Initialization (with Standard Status LED Indicator)

Upon turning the transmitter on, the Status LED lights up as a solid green color. Following the Status LED turning on and illuminating green, the unit will perform a routine initialization.

During initialization, the Mini-MBT scans for any switches or motions that may be on during power up. If any switches or motions are on, the failure will be displayed as a solid red Status LED, and the Mini-MBT will power itself down.

After a successful initialization, the Mini-MBT will enter normal operation mode and display the normal operating status LED indications. See Section 3.6 for more information on the normal operation mode with standard status LED.

3.2.5 Transmitter Initialization (with Optional Graphic User Interface Screen)

Upon turning the transmitter on, the LCD screen turns on and the unit will perform a routine initialization.

During initialization, the Mini-MBT scans for any switches or motions that may be on during power up. If any switches or motions are on, the failure will be shown on the display, and the Mini-MBT will power itself down.

After a successful initialization, the Mini-MBT will enter the Normal Operation Mode and display the normal operating screen. See Section 3.7 for more information on the Normal Operation Mode with Optional Graphic User Interface.

NOTE: Holding the START toggle or button in the START position for more than 5 seconds will put the device into Setup Mode. For normal use release the START toggle once the display turns on. See Section 4.2 for more information on the Setup Mode.

3.2.6 Turning Off the Transmitter

The transmitter can be turned off by pressing the OFF-ON-START toggle switch down to the OFF position. Once turned off, the MLC relay in the receiver is immediately opened.

NOTE: If the unit has a standard status LED, it will illuminate a solid red color during the transmitter's power down process. Once the power down process is complete, the transmitter will turn off and the status LED will not be on.

NOTE: Depressing the Machine Stop switch will also turn the transmitter off and open the Machine Stop relay in the receiver. See Section 3.3 for more information on the Machine Stop switch.

3.3 MACHINE STOP SWITCH (FOR EMERGENCY STOPPING ONLY)

When depressed, the Machine Stop relay in the receiver is immediately opened.

Under normal operating conditions, the Machine Stop switch must be in the raised position or the transmitter and system will not operate.

NOTE: The Machine Stop Switch is to be used for emergency stopping only, not for normal system shut down, unless it is specifically configured in that manner.

3.4 STATUS AND BATTERY LEDS

The standard Mini-MBT transmitter includes a status LED to let the operator know that the unit is functioning and a battery LED to indicate when the battery level is low.

3.5 OPTIONAL GRAPHIC USER INTERFACE

The optional LCD screen provides visual information during the operation of the Mini-MBT transmitter. It is used to change configuration settings, confirm commands being operated, provide two-way feedback, and display transmitter diagnostic information such as battery life and signal strength.

The optional graphic user interface replaces the standard status and battery LEDs when ordered.

3.6 NORMAL OPERATING MODE WITH STANDARD LEDES

3.6.1 Watch Dog Indicator (Steady Blinking Status LED)

The blinking LED represents the watch dog timer within the CPU of the unit.

NOTE: The LED should be continuously blinking at all times. If the LED is not blinking the transmitter will need to be rebooted to operate properly.

3.6.2 Switch Change Indicator (Rapidly Blinking Status LED)

When a switch is actuated or a switch status changes, the status LED will blink rapidly during the change.

NOTE: If a joystick, rotary switch or auxiliary switch is held in position or latched, the status LED will return to the steady watch dog indicator blinking state.

3.6.3 Low Battery Level Indicator (Blinking Red Battery LED)

When the battery level drops below 10% the battery LED will turn red.

3.7 NORMAL OPERATING MODE WITH OPTIONAL GRAPHIC USER INTERFACE

In normal operating mode, the Mini-MBT displays real time information relating to the operation of the transmitter on the graphic user interface. Information may include Command Confirmation, Battery Life, Signal Strength, Two-Way Feedback, etc.

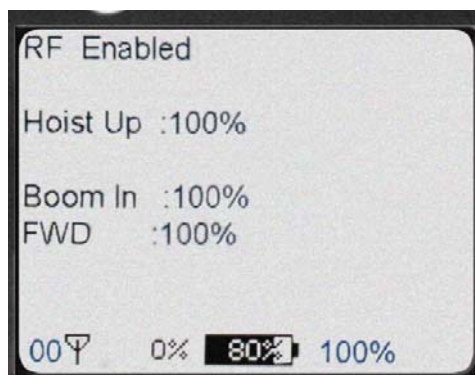


Figure 6: Normal operating screen on graphic user interface

3.7.1 Watch Dog Indicator (Sweeping Dot)

The Watch Dog Indicator is located on the far right of the bottom status line of the Mini-MBT graphic user interface screen. The 4 pixel sweeping dot will start in the right corner of the screen, moving toward the upper left corner of the screen, stopping while still on the bottom line, and then return to the right corner of the screen. The watch dog indicator should always be moving, but will move at different rates.

NOTE: The dot should be continuously sweeping at all times. If the dot is stationary (not sweeping), the transmitter needs to be power-cycled to operate properly.

3.7.2 Command Confirmation

Each time the user operates a control on the transmitter, a message will be displayed on the graphic user interface screen confirming what is being operated.

3.7.3 Battery Life Indicator

Remaining battery life is displayed on the bottom of the graphic user interface screen.

Battery life is displayed in 10% increments.

3.7.4 Signal Strength Indicator

The Signal Strength Indicator shows the radio signal strength at the receiver.

The Signal Strength Indicator is only available in systems equipped for Two-Way feedback (systems utilizing the 433 MHz frequency band do not have Two-Way feedback available). For such systems, Signal Strength is displayed at the bottom right hand corner of the graphic user interface screen.

3.7.5 Two-Way Feedback System

This option allows the user to view various parameters that may be important to the operation of the equipment on the graphic user interface display screen.

Parameters such as engine RPM, the torque or speed of a drive, temperature, current, or any other useful values can be sent from the receiver and displayed on the transmitter.

NOTE: Systems utilizing the 433 MHz frequency band do NOT have Two-Way feedback available.

3.8 JOYSTICKS AND PADDLES/LEVERS

To activate the desired motor functions, operate the Joystick or Paddle/Lever that corresponds to the desired motion.

To activate higher speed functions for those transmitter models so equipped, operate the Joystick or Paddle/Lever further to activate the desired speed.

3.9 ROTARY SELECTOR SWITCH

The rotary selector switch can be used to select various modes of operation.

A rotary switch can have 2 to 12 positions to select from.

3.10 AUXILIARY SWITCHES

These switches activate special function relays that control items such as grab attachments, magnets, lights, and etc.

The auxiliary switches can be momentary or latched.

4. TRANSMITTER SETUP

The transmitter may have settings changed one of three ways.

The RF channel and access code can be programmed using the IR configuration link with a compatible receiver. All other settings can only be changed at the factory or with the optional RCP software.

For units with the optional graphic user interface, the Setup Mode can be used to edit configuration settings such as: Access Code, Channel Select, User Code, Transmitter Time Out, Backlight Time Out, Password Enable, Change Password, and more. The settings can also be changed with the optional RCP software.

4.1 TRANSMITTER SETUP SETTINGS WITH STANDARD STATUS LED

The access code and channel can be changed using the IR configuration receiver link with a compatible receiver (contact the factory to determine if your receiver is compatible).

4.1.1 IR Configuration Receiver

IR Cfg Recv function allows the transmitter to link to a compatible receiver by using IR (contact the factory to determine if your receiver is compatible) and automatically set up the channel and access code to match the linked compatible receiver.

4.1.1.1 IR Configuration Receiver on Transmitters Equipped with Separate Power/Status and Battery LED Indicators

To utilize the IR configuration receiver function and link to a compatible receiver, push the OFF-ON-START toggle to the START position and hold for more than 5 seconds. When the transmitter successfully enters the IR configuration mode, the Power/Status and Battery LED(s) will blink alternately continuously. After the LEDs are blinking alternately, point the IR window of the transmitter at the desired receiver to control and momentarily press the OFF-ON-START toggle to the START position and release.

If the link is successful, the LEDs will stop blinking and the transmitter will shut down. The new settings obtained from the IR configuration function will take effect upon the next power cycle of the transmitter.

If the link is unsuccessful with a compatible receiver, the Power/Status and Battery LED(s) will continue to blink alternately.

To cancel the IR configuration receiver without a successful link, move the OFF-ON-START toggle to the OFF position.

4.1.1.2 IR Configuration Receiver on Transmitters Equipped with Single Status/Battery LED Indicator

To utilize the IR configuration receiver function and link to a compatible receiver, push the OFF-ON-START toggle to the START position and hold for more than 5 seconds. When the transmitter successfully enters the IR configuration mode, the Status/Battery LED will blink continuously. After the LED is blinking, point the IR window of the transmitter at the desired receiver to control and momentarily press the OFF-ON-START toggle to the START position and release.

If the link is successful, the LED will stop blinking and the transmitter will shut down. The new settings obtained from the IR configuration function will take effect upon the next power cycle of the transmitter.

If the link is unsuccessful with a compatible receiver, the Status/Battery LED will continue to blink.

To cancel the IR configuration receiver without a successful link, move the OFF-ON-START toggle to the OFF position.

4.1.2 RCP IR Configuration

The RCP IR Configuration feature (supported in common code version 2.5.0 and greater) allows the transmitter configuration to be read and written through the IR Adapter port. Contact customer service to determine if your transmitter is compatible. You will also need to have an IR Adapter available to configure the device.

To utilize the RCP IR configuration feature on compatible transmitters:

1. Push the OFF-ON-START toggle to the START position and hold for more than 5 seconds.
 - o When the transmitter successfully enters the IR configuration mode, the Power/Status and Battery LED(s) will blink alternately continuously.
2. After the LEDs are blinking alternately, point the IR adapter at the IR window of the transmitter and use RCP to send and receive data.

*NOTE: This is the same procedure to enter in to IR Configuration Pairing with a receiver. The difference is that to pair a transmitter with a receiver you have to press the OFF-ON-START toggle. **To communicate with RCP you do not have to press start** (this will place you into a different mode). The device is sitting ready to communicate while the LEDs are blinking.*

4.2 USING THE TRANSMITTER IN SETUP MODE (WITH OPTIONAL GRAPHIC USER INTERFACE)

NOTE: The Setup Mode is only accessed on transmitters equipped with the optional graphic user interface. The units equipped with the standard status LED can only have the settings of the transmitter changed at the factory or by using the optional RCP software.

The Setup Mode can be used to edit configuration settings such as: Access Code, Channel Select, User Code, Transmitter Time Out, Backlight Time Out, Password Enable, Change Password, and more.

NOTE: Parameter changes will not take effect until the user has selected 'Save and Exit' from the Setup Mode.

4.2.1 Entering Setup Mode

To enter the Setup Mode, first make sure the unit is OFF and the Machine Stop switch is raised. Next, push the OFF-ON-START toggle switch to the START position and hold it in the START position for more than 5 seconds until the setup screen appears.

The user will see a prompt for a four digit password if the password feature is enabled. If no password is enabled, then the adjustments in Section 4.2.2 will be available with no further input required from the user.

NOTE: The password feature is enabled by default from the factory.

Use the Joystick/Paddle to increment/decrement the value and toggle to the START position when finished. If the password is entered correctly, the device will enter Setup Mode. If it is entered incorrectly, the device will power down.

NOTE: The factory default password to get into the setup menu is 0000.

4.2.2 Adjusting Settings in Setup Mode

To navigate through Setup Mode, the Joystick/Paddle designated (MTN 1) and OFF-ON-START switch are used. The Joystick/Paddle cycles through the menus and is also used to change parameters within the menus. Pushing the OFF-ON-START switch to the START position will toggle between the menu and its parameter(s). When adjusting larger values, the speed is dependent on how far the Joystick/Paddle is depressed.

NOTE: No parameter changes will take effect until the user has selected 'Save and Exit' from the Setup Mode.

4.2.2.1 Access Code

The Access Code determines which receiver will be controlled by the transmitter.

The Access Code in the Mini-MBT transmitter must match the receiver Access Code or dip switches.

If the Access Codes settings on the receiver and transmitter do not match, no communication will occur.

The Access Code is a 20-bit binary value with a decimal equivalent of 0 - 1048575. It will be displayed as binary or decimal depending on the application.

4.2.2.2 Channel Select

The Channel Select setting determines the frequency that the Mini-MBT is operating on.

The user can select channels which correspond to the frequencies in Section 6.

4.2.2.3 RF Power

The RF Power setting determines the RF output of the transmitter.

The user can select values of "Min Power", "1/4 Power", "1/2 Power", and "Max Power".

If Setup Mode is entered using the sequence in Section 4.2.1, then the value entered into this parameter will be used after selecting 'Save And Exit' from the Setup Mode menu without having to restart the Mini-MBT.

4.2.2.4 Transmitter Timeout

This setting controls the amount of time that the transmitter can be inactive before it automatically shuts off. Factory default is 15 minutes, unless your project specific drawing states otherwise.

The Timeout time can be set from 1 to 60 minutes.

When the unit times out, the transmitter will turn off.

Setting Timeout to 0 disables transmitter timeout.



DO NOT ASSUME THE POWER IS OFF IN THE RECEIVER BECAUSE THE TRANSMITTER IS TURNED OFF. FAILURE TO FOLLOW THIS WARNING COULD RESULT IN SERIOUS INJURY OR DEATH AND DAMAGE TO EQUIPMENT.

4.2.2.5 Backlight Power %

The Backlight Power percentage setting controls the brightness of the backlight on the Mini-MBT transmitter.

The Backlight Power can be set from '*Backlight Off*' (0%) to 100%, in 5% increments.

If '*Save and Exit*' is selected from the setup menu after changing this parameter, it will immediately take effect.

4.2.2.6 Backlight Timeout

The Backlight timeout setting controls the amount of time that the backlight will stay on after a command is pressed before it automatically shuts off.

Backlight Timeout can be set from 1 to 30 seconds.

Setting Timeout to disable will disable the backlight.

Setting Timeout to "always on" sets the backlight to be on continuously while the transmitter is on and active.

NOTE: Leaving the backlight on longer will decrease the battery run time and will require more frequent battery replacement (or recharges for optional rechargeable battery packs).

4.2.2.7 Set Clock

This sets the system clock for the Mini-MBT unit. The clock is set in the following format:

10/01/12 13:12:11

MM/DD/YY hh:mm:ss

If '*Save and Exit*' is selected from the setup menu after changing this parameter, it will immediately take effect.

4.2.2.8 Password Enable

This setting enables or disables the requirement of entering a password into the transmitter to enter Setup Mode.

When the disabled setting is selected the user will go directly into Setup Mode without being prompted to enter a password.

Magnetek strongly recommends enabling the Setup Mode password setting to prevent unauthorized or accidental changes to parameters.

NOTE: The unit is shipped with the password requirement enabled and utilizing the factory default password.

4.2.2.9 Change Password

This allows the user to change the password needed to enter the Setup Mode.

The password must consist of four digits.

If 'Save and Exit' is selected from the setup menu after changing this parameter, it will immediately take effect.

4.2.2.10 Battery Type

This is used to set the type of battery pack used to power the transmitter. The choices are either rechargeable or alkaline. If the device firmware supports the feature, the drop-down box is enabled; otherwise the drop-down box is disabled. Devices with updated firmware to support this feature may not have the option to select the pack type depending upon the project and the RCP control will be read-only. The common code needs to be v2.1 or greater to have the ability to change this setting.

4.2.2.11 IR Configuration Receiver

IR Cfg Recv function in the setup allows the transmitter to link to a compatible receiver by using IR (contact the factory to determine if your receiver is compatible) and automatically set up the channel and access code to match the linked compatible receiver.



Figure 7: Mini-MBT IR Window

After selecting this option, point the IR window located on the bottom of the transmitter (as seen in Figure 7) at the desired receiver to control and momentarily press the OFF-ON-START toggle to the START position and release. The graphic user interface will display "Attempting" with a countdown of the time while scanning for the receiver's IR signal. If the receiver is in range and IR link is made, the message will change to "Success". The transmitter and receiver should be within one foot of each other to ensure successful exchange of information via IR.

NOTE: The changes to the transmitter's channel configuration and access code will not be saved until the operator selects the Save and Exit option to exit the Setup Mode.

If the receiver is not in range, the scan will time out and the graphic user interface will display "Failed". The operator can reposition the transmitter and reattempt to establish the IR link with the receiver by toggling the START position on the OFF-ON-START toggle multiple times.

NOTE: The access code and channel will not be updated to match the desired receiver until "Success" is displayed. Once "Success" is displayed, subsequent "Failed" messages will not overwrite the access code and channel obtained in the successful IR link until a new successful IR link is made.

The IR configuration function will only update channel and access code information if the receiver and transmitter are programmed at the factory with the same project identification number. If the receiver/transmitter pairing is not programmed with the same project identification number, the graphic user interface will display "Err Project ID" when an IR link is attempted. The IR link will not be successful and the access code and channel information in the transmitter will not be changed.

If the receiver and transmitter IR pair are not operating in the same frequency band when an IR link is attempted, the graphic user interface will display “Err RF Freq”. The IR link will not be successful and the access code and channel information in the transmitter will not be changed.

4.2.2.12 RCP IR Configuration

The RCP IR Configuration feature (supported in common code version 2.5.0 and greater) allows the transmitter configuration to be read and written through the IR Adapter port. Contact customer service to determine if your transmitter is compatible. You will also need to have an IR Adapter available to configure the device.

After selecting this option through the transmitter’s setup menu, point the IR Adapter at the IR window located on the bottom of the transmitter.

The transmitter’s display will show:

```
> RCP IR Cfg  
  
Ready...  
  
Press start to exit
```

At this point, the transmitter is ready to send and receive commands from RCP. When finished press the OFF-ON-START toggle to exit back to the menu.

NOTE: See RCP User’s Guide for detailed instruction on reading and writing the configuration.

4.2.2.13 Exit Without Save

If the user does not wish to save any of the configuration changes made, the Exit Without Save option can be selected.

NOTE: None of the changes will be saved upon selection of this option. The transmitter will start up with the last saved configuration settings.

4.2.2.14 Save and Exit

Selection of this option saves all changes and exits the Setup Mode.

Upon exit, the device will start up with the new configuration settings.

5. OPTIONAL PROGRAMMING WITH RCP

Using the optional RCP software makes programming of the Mini-MBT easier and allows for settings to be saved for future reference.



WARNING

THE USE OF RCP (RADIO CONTROL PROGRAMMER) IS INTENDED FOR USE BY AUTHORIZED PERSONS ONLY. CHANGES TO ANY RADIO DATA VALUE MAY LEAD TO UNEXPECTED, UNDESIRABLE, OR UNSAFE OPERATION OF EQUIPMENT AND FURTHERMORE MAY LEAD TO EQUIPMENT DAMAGE, PERSONAL INJURY, OR EVEN DEATH. ALL EQUIPMENT OPERATORS AND/OR PERSONNEL SHOULD BE NOTIFIED OF ANY RADIO DATA VALUE CHANGES THAT MAY AFFECT OPERATION.

5.1 ACCESS CODES

The receiver and transmitter must be programmed with the same access code to properly communicate with each other.



WARNING

TWO OPERATIONAL TRANSMITTERS WITH THE SAME ACCESS CODES OPERATING AT THE SAME TIME IS A DEFINITE SAFETY HAZARD. FAILURE TO FOLLOW THIS WARNING COULD RESULT IN SERIOUS INJURY OR DEATH AND DAMAGE TO EQUIPMENT.

5.2 CHANGING RECEIVER ACCESS CODES

Receiver Access Code Programming. For detailed instructions on setting parameters including access codes, see the “Programming” section of the applicable receiver manual.



WARNING

AFTER CHANGING THE ACCESS CODES ON THE TRANSMITTER, TEST THE UNIT BY TURNING IT ON AND OFF NEAR THE APPROPRIATE RECEIVER. IF THE RECEIVER DOES NOT RESPOND, DO NOT ACTIVATE A FUNCTION BUTTON! THE TRANSMITTER MAY HAVE THE WRONG ACCESS CODE, WHICH COULD MOVE OTHER EQUIPMENT. RE-CHECK THE ACCESS CODE IN THE TRANSMITTER AND RETEST. FAILURE TO FOLLOW THIS WARNING COULD RESULT IN SERIOUS INJURY OR DEATH, AND DAMAGE TO EQUIPMENT.



WARNING

THE ACCESS CODES IN THE RECEIVER ARE UNIQUE AND FACTORY PRESET. DO NOT CHANGE THESE ACCESS CODES UNLESS YOU ARE REPLACING AN EXISTING RECEIVER AND ITS ACCESS CODE. CHANGING THIS CODE COULD MAKE IT COMMON WITH ANOTHER RECEIVER ACCESS CODE, WHICH COULD MOVE OTHER EQUIPMENT. NO TWO SYSTEMS IN ANY LOCATION SHOULD EVER HAVE THE SAME ACCESS CODES INDEPENDENT OF THE FREQUENCY. FAILURE TO FOLLOW THIS WARNING COULD RESULT IN SERIOUS INJURY OR DEATH, AND DAMAGE TO EQUIPMENT.

5.3 CONNECTING THE MINI-MBT TO A COMPUTER

The Mini-MBT transmitter contains circuits that permit communication with a computer system via USB. The USB mini-B plug is located through the IR/USB port window as detailed in Figure 8.



Figure 8: USB mini-B receptacle as viewed through USB/IR port

When plugging in the transmitter to a computer system, the transmitter batteries must be installed. The USB circuit does not provide power to the transmitter. Magnetek highly recommends using a fully charged battery pack when using USB and RCP with the transmitter.

5.4 CONFIGURATION WITH RCP

Read the section of the Mini-MBT manual regarding additional operational features to become familiar with the features listed below. The Mini-MBT transmitter can be programmed using the optional RCP (Radio Control Programmer) software.

Magnetek RCP software makes the programming of the Mini-MBT transmitter easier and allows the programmer to store all of the Mini-MBT settings in files for later use or reference. Help is provided for each function at the bottom of the RCP screen. The RCP software allows you to select radio channel, access code, transmitter power, etc. Follow the steps below:

Install the RCP Software

Install the RCP software onto your computer. The software is self-installing; simply insert the USB thumb drive into your USB port and follow the onscreen prompts. Refer to the installation instruction sheet for help. You will be prompted to enter an activation code. The code can be found on the installation instructions. The software can only be used 10 times without this code.

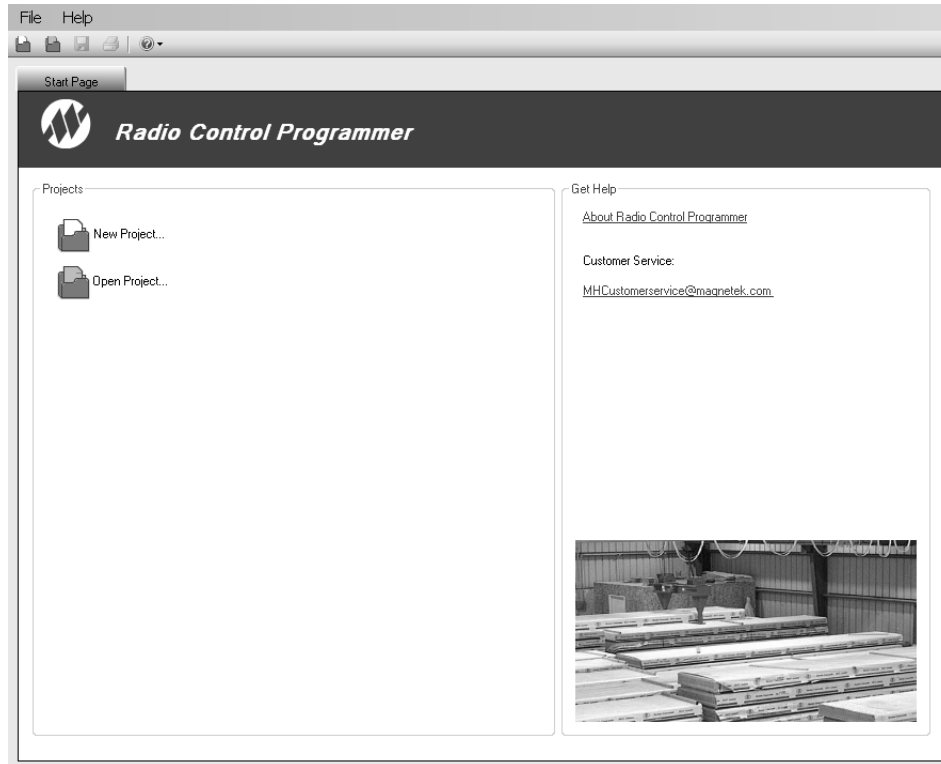
Run the RCP Software

After installation of the RCP Software, double click the RCP icon to launch the program.



Click on New Project or Open Project

Select "New Project" if you are creating a new program file. Select "Open Project" if you want to retrieve an existing program file. A list of recent projects will appear under "Open Project." Clicking on one of these will open that project. It is recommended that you create a folder in which to save all programming files.



For New Projects, Select Device Type

After the New Project icon is selected, a menu will open listing the available device types. Select the device type that matches the product you wish to program (selecting a project type will display a picture of the product for verification).

Receive Device Data Checkbox

At the bottom of the New Project window there is a check box that allows the user to automatically download the setting values on the device upon connection.

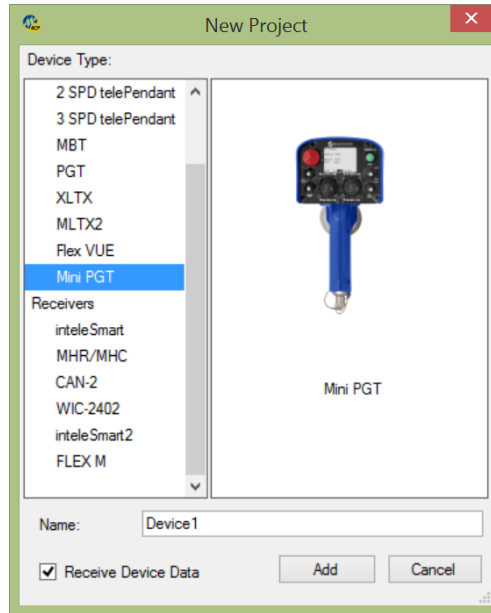
NOTE: This check box is checked by default.

Having the "Receive Device Data" option checked will cause the program to automatically read the data that is currently on the device upon clicking the Add button.



WARNING

IF "RECEIVE DEVICE DATA" CHECK BOX IS UNCHECKED, THE RCP PROGRAM WILL OVERWRITE ALL SETTING VALUES ON THE DEVICE WITH DEFAULT VALUES AND ANY SETTINGS CHANGED BY THE OPERATOR UPON SENDING THE PROGRAM TO THE DEVICE. ALL STORED VALUE SETTINGS WITHIN THE DEVICE WILL BE REPLACED, INCLUDING ANY PROJECT-SPECIFIC VALUES. MAGNETEK STRONGLY RECOMMENDS THAT THE "RECEIVE DEVICE DATA" CHECK BOX BE LEFT CHECKED.



This screen also allows the programmer to create a specific name for the device to help keep track of device settings and changes. It is recommended that a unique name is chosen for each device programmed with RCP.

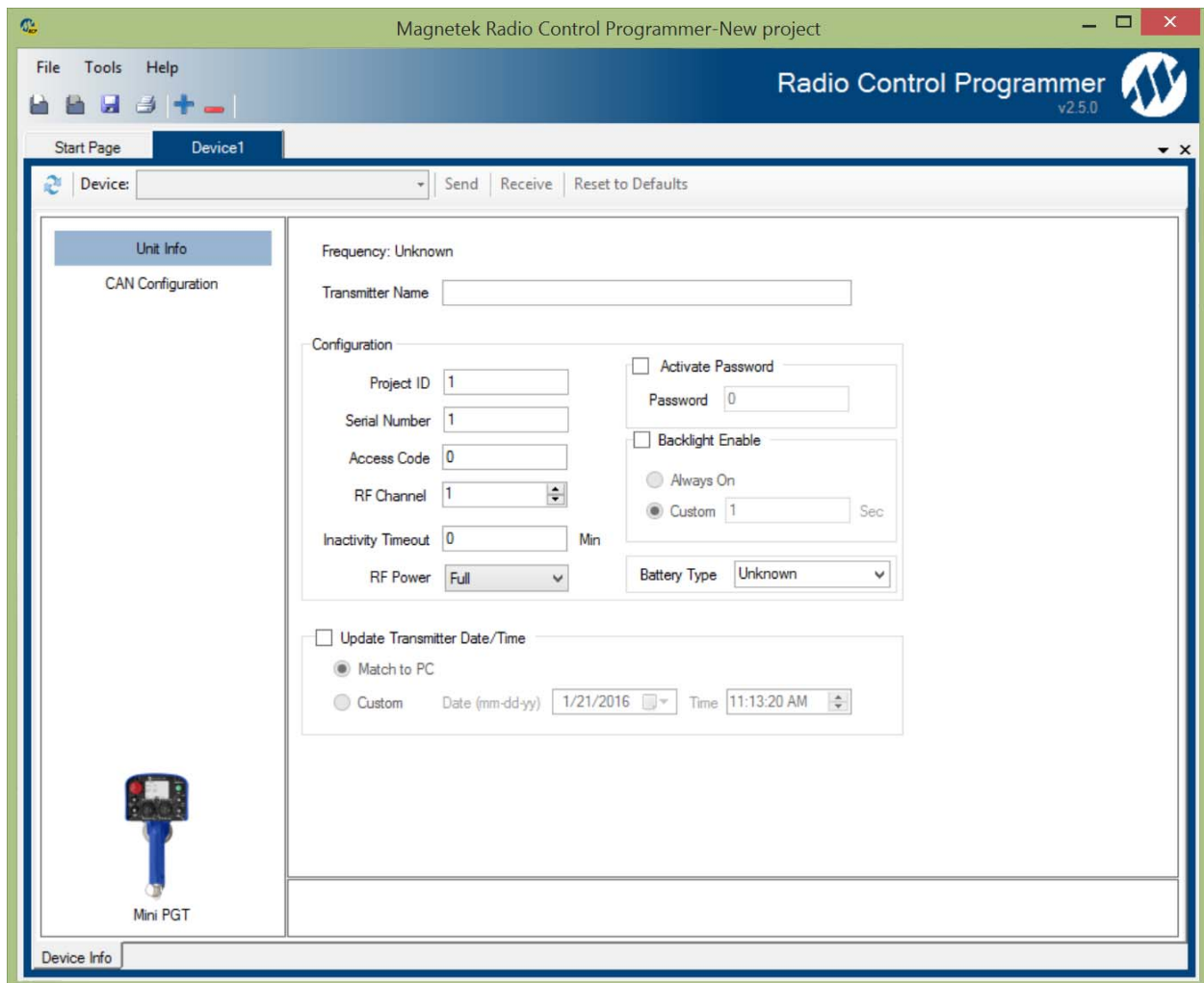
5.4.1 Mini-MBT Configuration Page

The Mini-MBT Transmitter has one configurable page available to change settings on. The page allows the configuration of general transmitter settings (transmitter name, access code, RF channel, etc.).

Unit Info Page

This page allows the user to view the receiver's Project ID and serial number. The user can modify the transmitter name, access code, RF channel and activate the password. This page may also be used by the user to synchronize the internal clock on the transmitter with the connected PC or manually set the clock/date.

NOTE: Changing any of these details will require a reboot of the Mini-MBT after the new information has been sent to the device.



Transmitter Name

The transmitter name field allows the user to create a custom name for the transmitter. The name can be up to 16 ASCII characters long.

Project ID

This section displays the Project ID for the unit. The Project ID is set by the factory and cannot be modified by the user.

Serial Number

This section displays the serial number for the unit. The serial number of the unit is set by the factory and cannot be modified by the user.

Access Code

The access code acts as the transmitter address. The transmitter will only transmit commands to receivers with the same address. This feature is selectable by the user.

NOTE: *The transmitter must be set with the same access code as the receiver to properly communicate with each other.*



WARNING

THE ACCESS CODES IN THE RECEIVER ARE UNIQUE AND FACTORY PRESET. DO NOT CHANGE THESE ACCESS CODES UNLESS YOU ARE REPLACING AN EXISTING RECEIVER AND ITS ACCESS CODE. CHANGING THIS CODE COULD MAKE IT COMMON WITH ANOTHER RECEIVER ACCESS CODE, WHICH COULD MOVE OTHER EQUIPMENT. NO TWO SYSTEMS IN ANY LOCATION SHOULD EVER HAVE THE SAME ACCESS CODES INDEPENDENT OF FREQUENCY. FAILURE TO FOLLOW THIS WARNING COULD RESULT IN SERIOUS INJURY OR DEATH, AND DAMAGE TO EQUIPMENT.

RF Channel

The RF channel is user-selectable through the pull-down menu. This function is used to prevent interference with other radio devices. There are multiple user-selectable channels for 400 MHz, 900 MHz, and 2.4 GHz systems. See Section 6 for channel frequency details.

Inactivity Timeout

The transmitter can be set to turn off after a period of time when no controls are activated. To restart the transmitter, the OFF-ON-START switch must be cycled through the START position. The factory default setting for the inactivity timeout is 15 minutes.

RF Power

The RF transmitting power of the unit is user-selectable through the pull-down menu. This function is used to reduce the operating range of the transmitter from the equipment being operated. The user-selectable options for RF power are Full, Half, Quarter, and Minimum.

Activate Password

The password is used to restrict access to the configuration menu on the Mini-MBT. Having an active password prevents accidental changes to the transmitter.

Please familiarize yourself with this section before programming the password.

If you choose to enable the password function, you can create a new password by selecting a four digit numerical password using numbers from 0 to 9. Be sure to write this password down in a safe place for future reference.



WARNING

ALWAYS REMEMBER TO STORE THE PASSWORD IN A SECURE LOCATION FOR ACCESS IF THE PASSWORD IS LOST OR FORGOTTEN. ONCE THE TRANSMITTER IS PROGRAMMED WITH A PASSWORD, THERE IS NO WAY TO DEFEAT THE PASSWORD WITHOUT USING THE RCP SOFTWARE TO EITHER READ THE PASSWORD OR REPROGRAM A NEW PASSWORD.



WARNING

THIS PASSWORD FUNCTION IS NOT TO BE USED AS A SECURITY DEVICE. THE PURPOSE OF THIS FUNCTION IS TO PREVENT ACCIDENTAL CHANGES TO THE TRANSMITTER SETTINGS. THE BEST FORM OF SECURITY IS ALWAYS TO LOCK UP THE TRANSMITTER WHEN NOT IN SERVICE. FAILURE TO FOLLOW THIS WARNING COULD RESULT IN SERIOUS INJURY OR DEATH AND DAMAGE TO EQUIPMENT.

The password default setting is to be disabled during initial programming by the RCP software. To enable password protection, check the box next to the phrase “Activate password.”



WARNING

NOT ENABLING THE PASSWORD FUNCTION ALLOWS THE TRANSMITTER SETTINGS TO BE MODIFIED BY ANY UNAUTHORIZED USERS. IMPROPER TRANSMITTER SETTINGS COULD RESULT IN SERIOUS INJURY OR DEATH AND DAMAGE TO EQUIPMENT.

Backlight Enable

This section allows the user to enable the LCD display backlight (on systems equipped with optional graphic user interface LCD display) and select the period of time after transmitter activity that the backlight stays on.

The user has the option to check the “Always On” check box for backlight timeout. If this box is checked, the backlight will remain on continuously while the transmitter is active.

NOTE: The longer the backlight is turned on, the shorter the transmitter battery life will be.

The user can also enable the backlight to turn off or timeout after a period of time, the user can select the custom field and enter in the time (in seconds) that the backlight should be lit. The range of values is 1 to 30 seconds.

Battery Type

This is used to set the type of battery pack used to power the transmitter. The choices are either rechargeable or alkaline. If the device firmware supports the feature the drop-down box is enabled, otherwise the drop-down box is disabled. Devices with updated firmware to support this feature may not have the option to select the pack type depending upon the project and the RCP control will be read-only. The common code needs to be v4.1 or greater to have the ability to change this setting.

Update Transmitter Date/Time

This feature allows the user to reset the internal clock on the transmitter to the correct date and time. The user can select to match the clock on the PC that is connected to the unit or select a custom date and time.

5.4.2 Saving, Downloading, and Reading the Programs and Other RCP Software Functions



CAUTION

TO PROGRAM OR READ DATA FROM THE MINI-MBT, THE TRANSMITTER MUST BE TURNED ON.

Saving the Programming File

Once programming is complete click the file tab at the top of the RCP screen to open the file menu. File location and name can be selected from this menu. Old files can be deleted, called up, modified, and renamed by this same menu.

Sending a Program to the Mini-MBT



WARNING

AFTER EVERY PROGRAMMING OF THE TRANSMITTER, TEST THE UNIT BY UTILIZING THE APPROPRIATE RECEIVER. IF THE RECEIVER DOES NOT RESPOND, DO NOT ACTIVATE A FUNCTION BUTTON! THE TRANSMITTER MAY HAVE INCORRECT PROGRAMMING. RE-CHECK THE PROGRAMMING IN THE TRANSMITTER AND RETEST. AFTER ACTIVATION OF THE RECEIVER, FUNCTIONALLY TEST ALL COMMANDS ON THE TRANSMITTER BY INITIALLY JOGGING THE BUTTONS, THEN WITH A FULL MOVEMENT BEFORE RETURNING TO SERVICE. FAILURE TO FOLLOW THIS WARNING COULD RESULT IN SERIOUS INJURY OR DEATH AND DAMAGE TO EQUIPMENT.

To send a program file to a Mini-MBT Transmitter

1. Plug in the USB programming cable.
2. Click the "send" button on the RCP screen. A dialog box will pop up confirming that you want to proceed. Check the box marked "I accept," and then click the button "Continue send to radio." On-screen prompts will confirm that the receiver has been programmed or if there are any issues.
3. Data will need to be sent separately for the Unit Info and CAN Configuration screens.

Receiving (Reading) the Mini-MBT Programming

To read a program file from the Mini-MBT Transmitter

1. Plug in the USB programming cable.
2. Click "Receive" and follow onscreen prompts.
3. RCP will confirm reception and automatically display current programming in the Mini-MBT unit.

Reading the RCP Software Version

1. Select "Help".
2. Select "About".
3. The RCP Software Version number will be displayed.

Resetting Mini-MBT Back to Factory Default Settings

1. Select "Reset to Defaults" button.
2. A dialog box will pop up confirming that you want to proceed. Click the button "OK" to restore the factory default settings. On-screen prompts will confirm that the transmitter has been reset to defaults or if there are any issues.
3. Power cycle the Mini-MBT transmitter to implement the factory default values.

NOTE: Resetting the system back to factory defaults only restores the factory settings for the CAN configuration settings. All other settings will not be altered.

6. TRANSMITTER CHANNEL CONFIGURATION SETTINGS

The RF channel can be set via the setup mode or the optional RCP software on systems equipped with the optional graphic user interface. Sections 6.2 through 6.6 show the channels and protocols available for each transmitter radio frequency option.

6.1 FCC STATEMENTS

Compliance Statement (Part 15.19)

This device complies with Part 15 of FCC rules.

Operation is subject to the following two conditions:

1. This device may not cause harmful interference, and
2. This device must accept any interference received, including interference that may cause undesired operation.

Warning (Part 15.21)

Changes or modifications not expressly approved by the party responsible for compliance should void the user's authority to operate the equipment.

This portable transmitter with its antenna complies with FCC's RF exposure limits for general population/uncontrolled exposure.

6.2 433MHZ CHANNEL SET

Channel	Frequency
01	433.000 MHz
02*	433.050 MHz
03*	433.100 MHz
04*	433.150 MHz
05*	433.200 MHz
06*	433.250 MHz
07*	433.300 MHz
08*	433.350 MHz
09*	433.400 MHz
10*	433.450 MHz
11*	433.500 MHz
12*	433.550 MHz
13*	433.600 MHz
14*	433.650 MHz
15*	433.700 MHz
16*	433.750 MHz
17*	433.800 MHz
18*	433.850 MHz
19*	433.900 MHz
20*	433.950 MHz
21*	434.000 MHz
22*	434.050 MHz
23*	434.100 MHz
24*	434.150 MHz
25*	434.200 MHz
26*	434.250 MHz
27*	434.300 MHz
28*	434.350 MHz
29*	434.400 MHz
30*	434.450 MHz
31*	434.500 MHz
32*	434.550 MHz

NOTE: Frequencies marked with * are approved for use in Australia.

6.3 433 MHZ TELEMOTIVE LEGACY CHANNEL SET: TMS AND TDMA

Channel Count	Channel Designator	Frequency
01)	AK01	439.8 MHz
02)	AK02	439.6 MHz
03)	AK03	439.4 MHz
04)	AK04	439.2 MHz
05)	AK05	439.0 MHz
06)	AK06	438.8 MHz
07)	AK07	438.6 MHz
08)	AK08	438.4 MHz
09)	AK09	438.2 MHz
10)	AK10	438.0 MHz
11)	AK11	437.8 MHz
12)	AK12	437.6 MHz
13)	AK13	437.4 MHz
14)	AK14	437.2 MHz
15)	AK15	437.0 MHz
16)	AK16	436.8 MHz
17)	AK17	436.6 MHz
18)	AK18	436.4 MHz
19)	AK19	436.2 MHz
20)	AK20	436.0 MHz
21)	AKA00	433.125 MHz
22)	AKA01	433.325 MHz
23)	AKA02	433.525 MHz
24)	AKA03	433.725 MHz
25)	AKA04	433.925 MHz
26)	AKA05	434.125 MHz
27)	AKA06	434.325 MHz
28)	AKA07	434.525 MHz
29)	AKA08	434.725 MHz
30)	AK38	432.4 MHz
31)	AK50	430.0 MHz

6.4 419MHZ CHANNEL SET

Channel	Frequency	Channel	Frequency
1*	418.950	44	417.500
2*	418.975	45	417.550
3*	419.000	46	417.600
4*	419.025	47	417.650
5*	419.050	48	417.700
6*	419.075	49	417.750
7*	419.100	50	417.800
8*	419.125	51	417.850
9*	419.150	52	417.900
10*	419.175	53	417.950
11*	419.200	54	418.000
12*	419.250	55	418.050
13*	419.275	56	418.100
14	416.000	57	418.150
15	416.050	58	418.200
16	416.100	59	418.250
17	416.150	60	418.300
18	416.200	61	418.350
19	416.250	62	418.400
20	416.300	63	418.450
21	416.350	64	418.500
22	416.400	65	418.550
23	416.450	66	418.600
24	416.500	67	418.650
25	416.550	68	418.700
26	416.600	69	418.750
27	416.650	70	418.800
28	416.700	71	418.850
29	416.750	72	418.900
30	416.800	73	419.350
31	416.850	74	419.400
32	416.900	75	419.450
33	416.950	76	419.500
34	417.000	77	419.550
35	417.050	78	419.600
36	417.100	79	419.650
37	417.150	80	419.700
38	417.200	81	419.750
39	417.250	82	419.800
40	417.300	83	419.850
41	417.350	84	419.900
42	417.400	85	419.950
43	417.450		

NOTE: Channels marked with * are approved for use in China

6.5 900 MHZ CHANNEL SET

Channel	Frequency
1	903.30 MHz
2	906.30 MHz
3	907.80 MHz
4	909.30 MHz
5	912.30 MHz
6	915.30 MHz
7	919.80 MHz
8	921.30 MHz
9	902.30 MHz
10	904.10 MHz
11	904.30 MHz
12	905.10 MHz
13	905.50 MHz
14	905.70 MHz
15	906.60 MHz
16	908.70 MHz
17	908.90 MHz
18	909.10 MHz
19	910.10 MHz
20	910.70 MHz
21	911.00 MHz
22	911.20 MHz
23	912.00 MHz
24	914.20 MHz
25	914.40 MHz
26	914.60 MHz
27	914.80 MHz
28	915.80 MHz
29	917.40 MHz
30	923.20 MHz
31	927.00 MHz
32	927.30 MHz

6.6 2.4 GHZ: FHSS

Channel sets are designated between 1 and 32. The frequency range is between 2402-2478 MHz. The frequency hopping protocol does not use one particular frequency to transmit a message; messages are transmitted over multiple frequencies in a predefined sequence or channel set. In doing so, this protocol is able to compensate for interference that may be present on a single frequency by sending the message across multiple frequencies.

This transmitter is available with optional licensed frequencies per customer request. If utilizing a licensed frequency, please refer to the factory application documentation that was shipped with the receiver or contact the factory for licensed frequency details.

7. OPTIONAL CAN BUS TETHER FEATURE

The Mini-MBT transmitter can be ordered with an optional CAN bus tether feature. This feature allows for the operation of the transmitter as a wired transmitter with no wireless radio transmission. If the Mini-MBT transmitter was ordered with the CAN bus tether feature, this section applies to features and operation of the transmitter in tether mode.

7.1 INSTALLATION OF TETHER CABLE

The tether cable is attached to the CAN connector on the transmitter by lining up the alignment groove and inserting the plug into the CAN connector receptacle. Twist the locking ring on the CAN plug clockwise to tighten it down and prevent accidental disengagement.

7.2 OPERATION OF TRANSMITTER IN TETHER MODE

With the tether cable attached, turn on the transmitter following the startup sequence as outlined in Section 3.2.

During the startup sequence the transmitter will automatically recognize that the tether cable is attached and communicating and switch into tether mode. Tether mode turns off the wireless transmitter and sends all command signals through the tether cable.

If the transmitter has the optional graphic user interface screen installed, visual verification of the transmitter being in tether mode can be observed on the screen.

NOTE: The transmitter must go through the startup initialization sequence with the tether cable attached to activate tether mode.

All controls on the transmitter will function the same regardless of whether the transmitter is in tether mode or wireless mode.

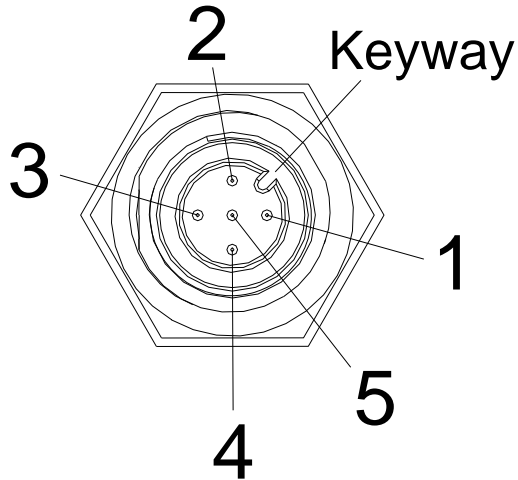
NOTE: While the tether cable provides power to the transmitter when connected, it will not recharge batteries in the transmitter. To recharge batteries, you must only use the Magnetek approved chargers for the appropriate battery pack.

7.3 RETURNING TRANSMITTER TO WIRELESS MODE

To return the transmitter to wireless mode, power down the unit and disconnect the tether cable. Following the startup sequence from Section 3.2, restart the transmitter. The transmitter will automatically sense that it is no longer connected to the tether cable and start the unit in its normal wireless mode.

7.4 CAN CONNECTOR RECEPTACLE PIN-OUT DETAILS

The CAN connector receptacle located on the transmitter has specific pin assignments. It is very critical that these pin assignments are matched in the CAN cable assembly.



CONNECTOR PINOUT (MALE PIN CONNECTOR)	
5-PIN CONNECTOR	FUNCTION
PIN 1	SHIELD
PIN 2	+12/24VDC
PIN 3	-12/-24VDC (common)
PIN 4	CAN-H
PIN 5	CAN-L

Figure 9: CAN Connector Pin Out details

8. GENERAL TROUBLESHOOTING

Problems	Possible Reasons	Suggestions
Transmitter will not turn on	Batteries are dead or installed backwards; battery holder is damaged.	Replace the batteries and confirm they are installed according to the polarity marking in the battery pack. Inspect all battery pack contacts for damage. When installing the battery pack into the MBT, confirm it is installed with the label facing out.
	Transmitter is failing switch scan.	Be sure all switches and motions are in the "off" position on startup. See Section 3.2 for more info.
	Transmitter Machine Stop Switch is down or pressed.	Be sure the Machine Stop switch is pulled up.
Transmitter will not respond with the receiver	Incorrect system RF channel.	Make sure the transmitter and receiver unit are both set to the same RF channel. See Section 4.
	Incorrect system access code.	Make sure the transmitter and receiver both have the same access code. See Section 4.
	System out of range.	Make sure that the startup procedure is initiated within 300 feet from the receiver location. If equipped with the Signal Strength Indicator, make sure the level is greater than 0%.
	The antenna on the receiver is missing, damaged, or improperly installed.	Inspect the antenna on the receiver for damage and try to locate the antenna in a location that is visible when operating the equipment at all times.

8.1 TROUBLESHOOTING OPTIONAL TETHER OPERATION

Problems	Possible Reasons	Suggestions
Transmitter will not turn on	The connecting tether cable is not installed, installed improperly, or is damaged.	Inspect the tether cable and confirm that it is installed and secured correctly. Inspect the connector, connector contacts and cable jacket for damage.
	Transmitter is failing switch scan.	Be sure all switches and motions are in the off position on startup. See Section 3.2 for more info.
	Transmitter Machine Stop switch is down or pressed.	Be sure the Machine Stop switch is pulled up.
Transmitter will not respond with the receiver in tether mode	System not in tether mode.	Make sure that the startup procedure is initiated with the tether cable attached. Ensure that all tether cable connections are secure prior to startup.
	The tether cable or connectors are damaged.	Inspect the tether cable and connectors for damage.
	CAN settings are incorrect.	Verify CAN settings match project specific CAN bus document.
Transmitter will not respond with the receiver in wireless mode	System not in wireless mode.	Make sure that the startup procedure is initiated with the tether cable detached. Ensure that the startup procedure is initiated within 300 feet from the receiver location.

8.2 ASSEMBLY AND REPLACEMENT PARTS

If your transmitter ever needs repair, we always recommend that you have Magnetek perform the repair. If you need to refer to a parts list, refer to your transmitter's drawing that was included in the shipment of your transmitter. Please contact Magnetek's service department at 1.866.MAG.SERV for information regarding parts and service.

9. NOTES

10. EU DECLARATION OF CONFORMITY



MAGNETEK

EU Declaration of Conformity Certificate

For the following equipment:

Product : Mini-PGT/Mini-MBT Radio Remote Control
Product Receiver Models : CAN-2, MHR, WIC-2402, inteleSmart2, Flex M
Manufacturer's Name : Magnetek, Inc.
Manufacturer's Address : N49 W13650 Campbell Drive
Menomonee Falls, WI 53051 USA

The undersigned hereby declares on behalf of Magnetek, that the above-referenced products, to which this declaration relates, is in conformity with the provisions of CE Mark Directive (93/68/EEC), Machinery Safety Directive (MD) 2006/42/EC, and Radio and Telecommunications Equipment Directive (R&TTE) 1999/5/EC.

The standards relevant for the evaluation of the product referenced above conformity to the directive requirements are as follows:

EN 301 489-1	EN ISO 12100
EN 301 489-3	EN ISO 13849-1 (e-stop conforms to PLd)
EN 300 220-3	EN ISO 13849-2
EN 60204-1	EN 13557
EN 60204-32	EN 60529

The European contact for Magnetek is:

Brian Preston
Magnetek
Unit 3, Bedford Business Centre
Mile Road
Bedford
MK42 9TW
United Kingdom

Per Annex II.B of the Machinery Directive (2006/42/EC):

The machinery, product, assembly or sub-assembly covered by this Declaration of Conformity must not be put into service until the machinery into which it is to be incorporated has been declared in conformity with the provisions of the applicable Directive(s). This statement is only necessary where the product is to be incorporated into a machine or system (e.g. a safety component).

Signature of Authorized Person:

Ben Stoller / Director - Radio Controls
For Magnetek, Inc.
Menomonee Falls, WI USA

April 30, 2015

Date of Issuance