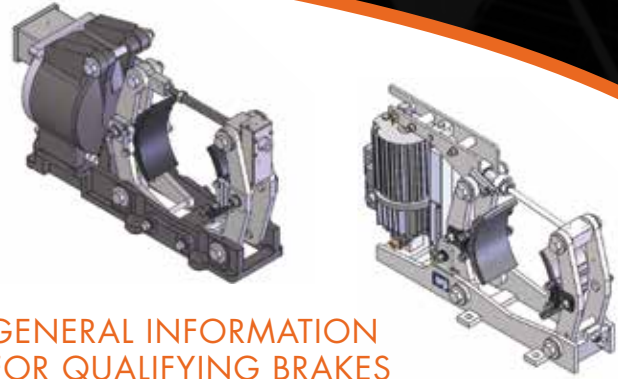


QUICK-SHIP PROGRAM

ORDER A BRAKE TODAY,
IT SHIPS TOMORROW

If your brake is worn out, broken, and in need of immediate replacement, we can help. No matter the circumstance, Magnetek will supply you with one of the most dependable brake products available today. We are the experts in understanding your tough technical and application issues and your tight timelines. Returning your equipment back to service quickly is our highest priority.



FAST SHIPMENT

Contact us **today** and we will ship you a pre-assembled, off-the-shelf Mondel™ brake **tomorrow**. There are no restrictions for destinations or method of shipping. Depending on your application need, Magnetek will be able to send you the corresponding fully operational brake. All of our brakes are set up and tested before shipment, so you can be sure your new brake will run at its peak performance.

RELIABLE FAMILY OF BRAKES

Magnetek's heavy-duty, cost-effective Mondel brakes are designed for a wide variety of industrial applications. Our advanced design features, combined with superior components, make our brakes ideal for the most demanding industries.

GENERAL INFORMATION FOR QUALIFYING BRAKES

- All brakes operate at -13°F to 122°F (-25°C to 50°C)
- All brakes are equipped with auto adjust and auto equalizer except MSA models
 - ⁽¹⁾ Brakes not paired with a forcing rectifier will respond slower on set and release
 - ⁽²⁾ Voltage input +/- 5%
 - ⁽³⁾ Brakes and forcing rectifiers are shipped together but not connected
 - ⁽⁴⁾ All brakes are furnished with an adjustable external torque spring

Brake Type	Application	Voltage Input (+/- 10%)	Drum Size (Inches)	Torque (ft-lbs)	Catalog Number	Notes
DC Coil Operated Brakes	Shunt Coil Continuous with Forcing Rectifier Hoist Applications	460VAC	4	11-18	QS-4MSA-SC-GBC ⁽³⁾	
		460VAC	6	34-50	QS-6MSA-SC-GBC ⁽³⁾	
		460VAC	8	40-120	QS-8MBE-SC-MBC ⁽³⁾	AIST Compliant @ 100 ft-lbs
		460VAC		70-140	QS-8MSA-SC-GBC ⁽³⁾	
		460VAC	10	80-240	QS-10MBE-SC-MBC ⁽³⁾	AIST Compliant @ 200 ft-lbs
		460VAC		190-240	QS-10MSA-SC-GBC ⁽³⁾	
	460VAC	13	220-660	QS-13MBE-SC-MBC ⁽³⁾	AIST Compliant @ 550 ft-lbs	
	Shunt Coil Continuous without Forcing Rectifier Bridge/Trolley Applications	230VDC	8	40-100	QS-8MBE-SH ⁽¹⁾	AIST Compliant @ 75 ft-lbs
			10	80-200	QS-10MBE-SH ⁽¹⁾	AIST Compliant @ 150 ft-lbs
13			220-550	QS-13MBE-SH ⁽¹⁾	AIST Compliant @ 400 ft-lbs	
AC Thruster Operated Brakes	Continuous Duty All Applications	230/460VAC	6	20-60	QS-6MSTE-ED23A ⁽⁴⁾	
			8	70-200	QS-8MSTE-ED30A ⁽⁴⁾	
				50-155	QS-8MBTE-ED23A ⁽⁴⁾	AIST Compliant @ 100 ft-lbs
			10	75-220	QS-10MBTE-ED23A ⁽⁴⁾	AIST Compliant @ 200 ft-lbs
			13	220-550	QS-13MBTE-ED50A ⁽⁴⁾	AIST Compliant @ 550 ft-lbs
		575 VAC	8	50-155	QS-8MBTE-ED23B ⁽²⁾⁽⁴⁾	AIST Compliant @ 100 ft-lbs
			10	75-220	QS-10MBTE-ED23B ⁽²⁾⁽⁴⁾	AIST Compliant @ 200 ft-lbs

Products are stocked and shipped from Magnetek's facility in Menomonee Falls, Wisconsin.

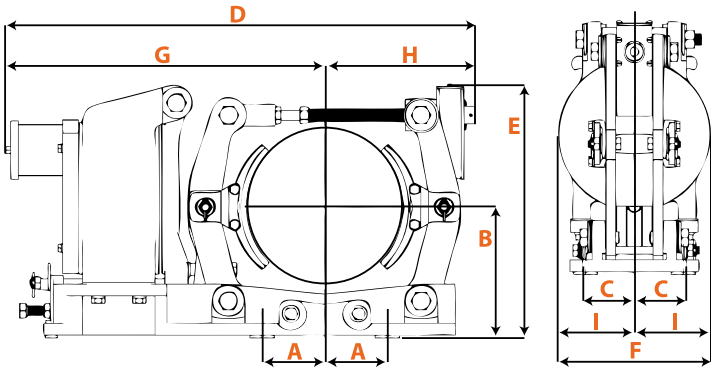
Call us today at 1.800.288.8178 to order from Magnetek's Quick-Ship Program.



MONDEL

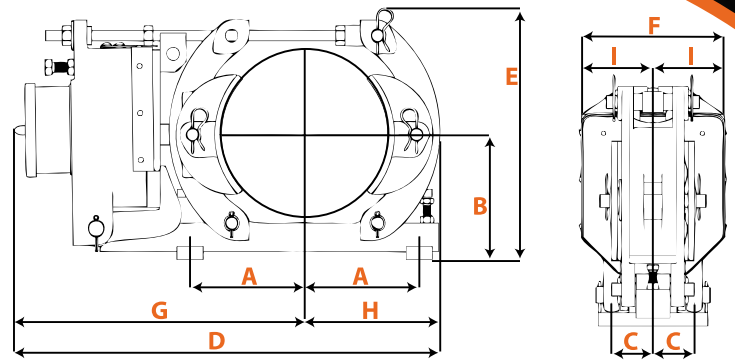
BRAKE DIMENSIONS

300M AIST Mill Duty Shoe Brakes

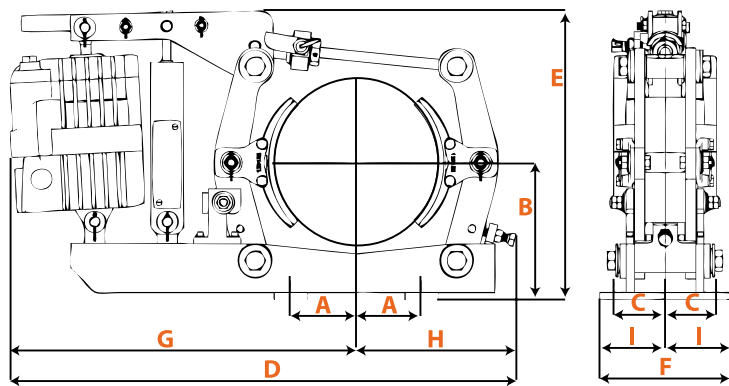


Description	Mounting Dimensions (Inches)			Other Dimensions (Inches)					
	A	B	C	D	E	F	G	H	I
QS-8MBE-XX	3.25	7.00	2.88	25.25	13.13	8.00	17.69	7.56	4.00
QS-10MBE-XX	4.00	8.38	3.13	28.75	16.38	9.68	19.38	9.38	4.84
QS-13MBE-XX	5.75	9.88	4.50	34.50	20.38	12.56	23.00	11.50	6.28

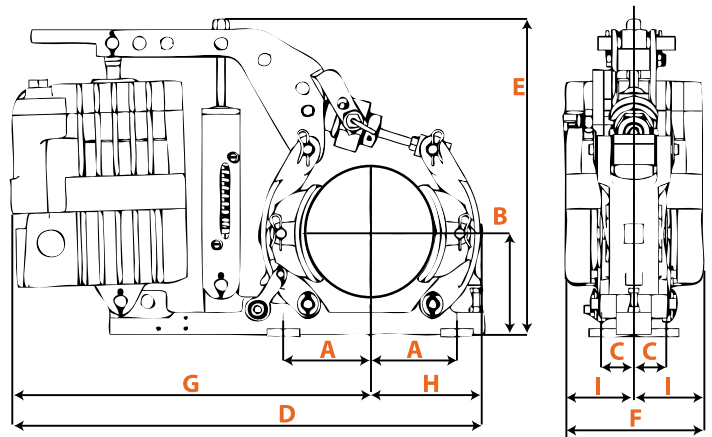
200S Industrial Shoe Brakes



Description	Mounting Dimensions (Inches)			Other Dimensions (Inches)					
	A	B	C	D	E	F	G	H	I
QS-4MSA-XX	3.00	3.38	1.50	14.00	7.25	4.25	10.00	4.00	2.23
QS-6MSA-XX	4.00	4.75	1.50	18.50	10.00	6.50	13.00	5.50	3.25
QS-8MSA-XX	5.50	6.00	2.00	21.25	12.38	7.75	14.50	6.75	3.88
QS-10MSA-XX	6.00	7.00	2.50	23.63	14.25	8.50	15.75	7.88	4.25



Description	Mounting Dimensions (Inches)			Other Dimensions (Inches)					
	A	B	C	D	E	F	G	H	I
QS-8MBTE-ED23X	3.25	7.00	2.88	25.25	15.50	7.25	18.00	7.25	3.63
QS-10MBTE-ED23X	4.00	8.38	3.13	31.88	19.13	8.00	22.00	9.88	4.00
QS-13MBTE-ED50X	5.75	9.88	4.50	41.75	25.31	11.00	28.88	12.88	5.50



Description	Mounting Dimensions (Inches)			Other Dimensions (Inches)					
	A	B	C	D	E	F	G	H	I
QS-6MSTE-ED23X	4.00	4.75	1.50	22.50	15.50	4.13	17.00	5.25	2.06
QS-8MSTE-ED30X	5.50	6.00	2.00	24.50	18.69	6.25	17.75	6.75	3.13

For more information, contact Magnetek Material Handling or your local Magnetek Sales Representative.



MONDEL